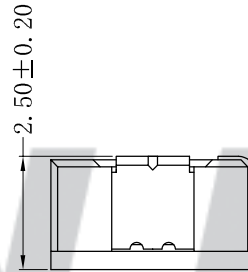
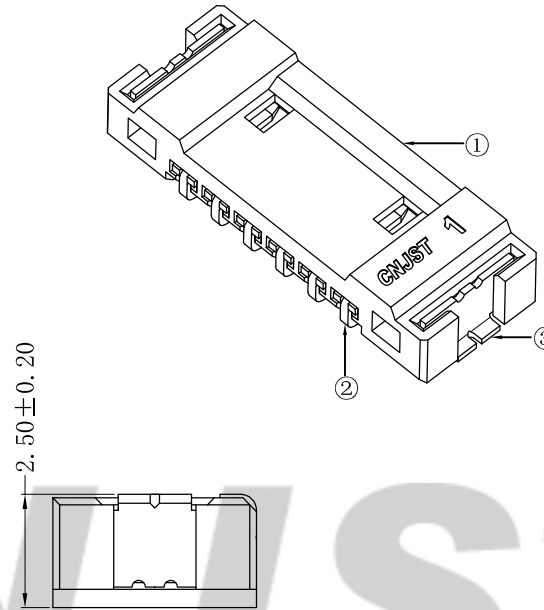
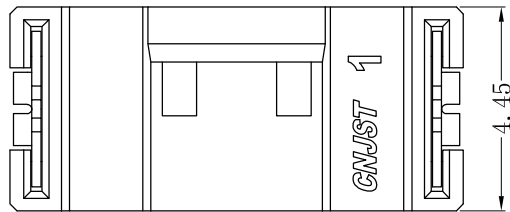
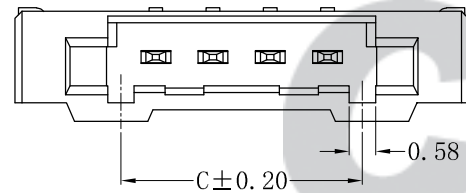
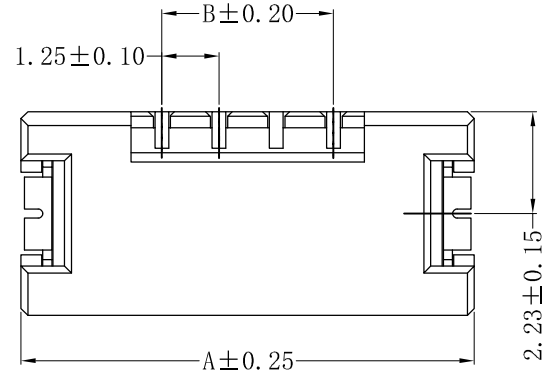


RoHS Compliant



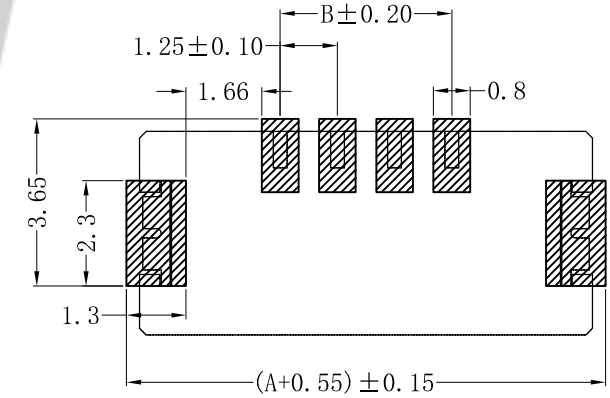
Circuits	Dimensions (mm)		
	A	B	C
04	9.90	3.75	5.28
06	12.40	6.25	7.78

SPECIFICATION

- 1 Contact resistance: $\leq 30m\Omega$
- 2 Insulation resistance: $\geq 500M\Omega$
- 3 Rated voltage: 50 V AC DC
- 4 Rated current: 0.3 A AC DC
- 5 Withstand Voltage: 500V AC/minute
- 6 Temperature Range: $-25^{\circ}C \sim +85^{\circ}C$

ORDER INFORMATION:

A12513AWR-**-D1MB-R			
PART No.:			PACKAGING:
No. OF CIRCUITS:			R=REEL
04/06			PLATING:
PLASTIC MATERIAL:			B=Matte Sn
D1M=PA9T(Nature)			



SUGGESTED PCB LAYOUT
(COMPONENT SIDE)

专利产品

REV.	DATE	DESCRIPTION	APPD.	NO.	DESCRIPTION	QTY	MATERIAL	PLATING/COLOR
				③	Solder Tab	2	Brass	Matte Sn
C/0	2022.12.07	统一标准 更新模版	黄美程	②	Material	4、6	Phosphor Bronze	Matte Sn
B/0	2020.12.05	NEW RELEASE	王程伟	①	Insulator	1	PA9T (UL94V-0)	Nature

Tolerance	X.X ±0.30
	X.XX ±0.20
	X.XXX ±0.10
Angle	±3.0°
UNIT:	mm

CNJST 捷仕泰企业	
Model No.: A12513AWR-**-D1MB-R	
Model Name: 1.25mm pitch 90° WAFER-SMT TYPE	
	SCALE: FULL
	REVISION: C/0

Drawn: 黄美程 2022.12.07
Checked: 吴丹平
Approved: 林旭芝
DWG NO.: CNJST/GCCP-0416