

RoHS Compliant

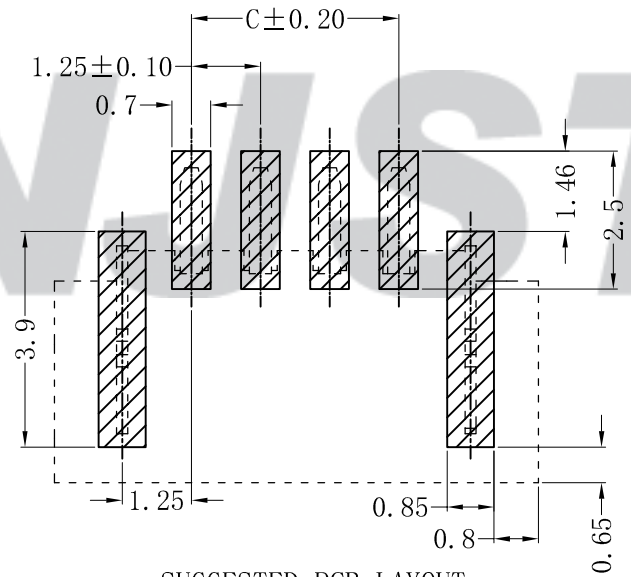
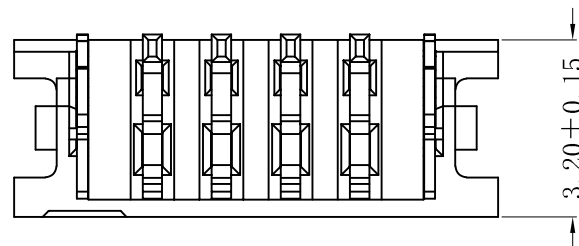
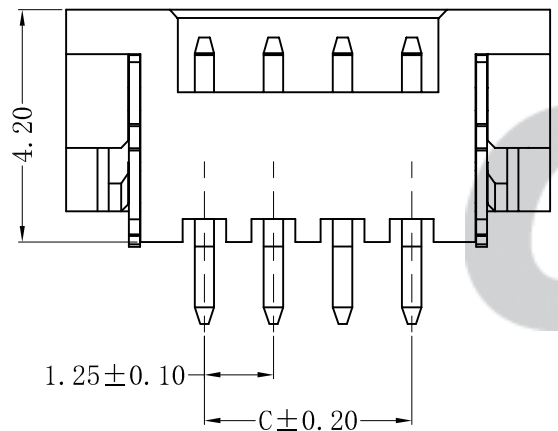
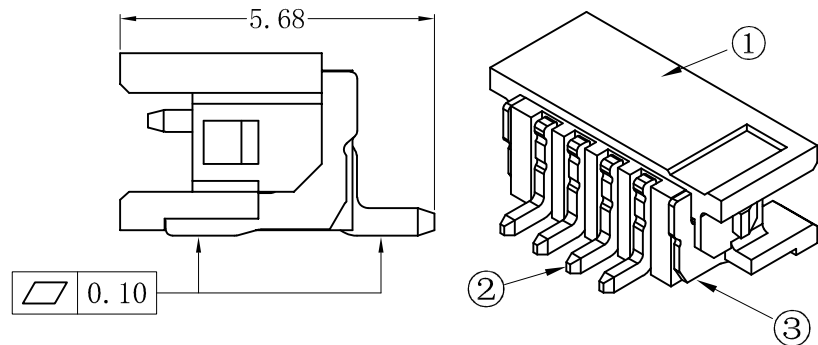
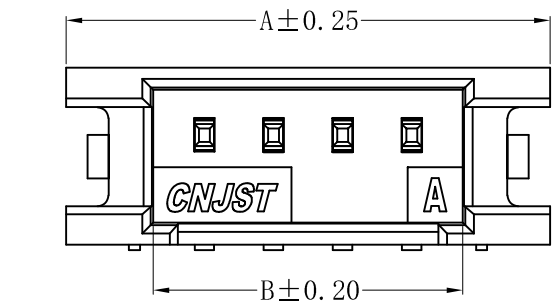
SPECIFICATION

- 1 Contact resistance: $\leq 30m\Omega$
- 2 Insulation resistance: $\geq 100M\Omega$
- 3 Rated voltage: 125 V AC DC
- 4 Rated current: 1 A AC DC
- 5 Withstand Voltage: 500V AC/minute
- 6 Temperature Range: $-25^{\circ}C \sim +85^{\circ}C$

ORDER INFORMATION:

A12514AWR--F2MB-R**

PART No.:		PACKAGING:	
No. OF CIRCUITS:		G=TUBE	
02~15		R=REEL	
PLASTIC MATERIAL:		PLATING:	
F2M=LCP (Nature)		B=Matte Sn	



SUGGESTED PCB LAYOUT
(COMPONENT SIDE)

Circuits	Dimensions (mm)		
	A	B	C
02	6.25	3.10	1.25
03	7.50	4.35	2.50
04	8.75	5.60	3.75
05	10.00	6.85	5.00
06	11.25	8.10	6.25
07	12.50	9.35	7.50
08	13.75	10.60	8.75
09	15.00	11.85	10.00
10	16.25	13.10	11.25
11	17.50	14.35	12.50
12	18.75	15.60	13.75
13	20.00	16.85	15.00
14	21.25	18.10	16.25
15	22.50	19.35	17.50

专利产品

REV.	DATE	DESCRIPTION	APPD.	NO.	DESCRIPTION	QTY	MATERIAL	PLATING/COLOR
C/O	2022.12.07	统一标准 更新模版	黄美程	③	Solder Tab	2	Brass	Matte Sn
B/O	2018.08.22	NEW RELEASE	黄金林	②	Material	2~15	Phosphor Bronze	Matte Sn
				①	Insulator	1	LCP (UL94V-0)	Nature

Tolerance	
X.X	±0.30
X.XX	±0.20
X.XXX	±0.10
Angle	±3.0°
UNIT:	mm

CNJST 捷仕泰企业

Model No.: A12514AWR-**-F2MB-R

Model Name: 1.25mm pitch 90° SMT TYPE

SCALE: FULL

REVISION: C/0

Drawn:	黄美程 2022.12.07
Checked:	吴丹平
Approved:	林旭芝
DWG NO.:	CNJST/GCCP-0414