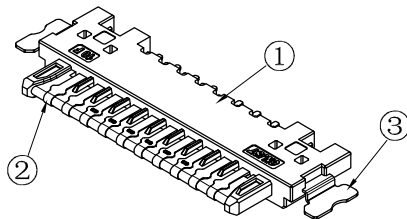
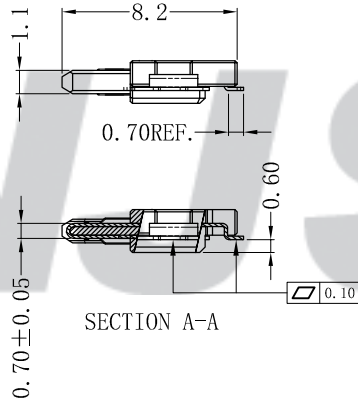
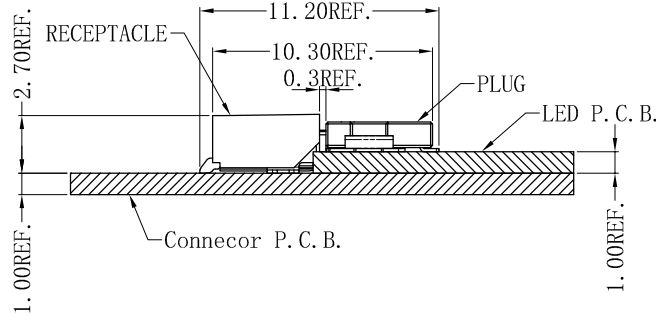
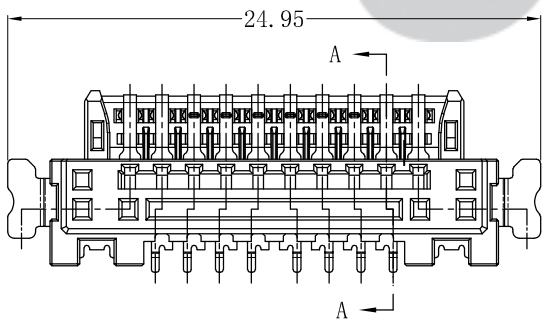
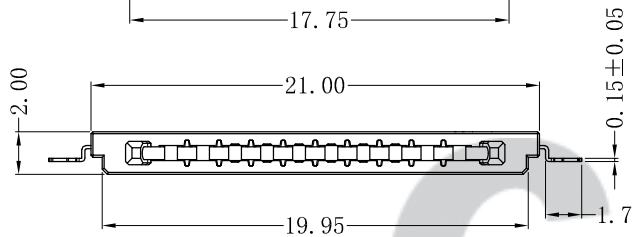
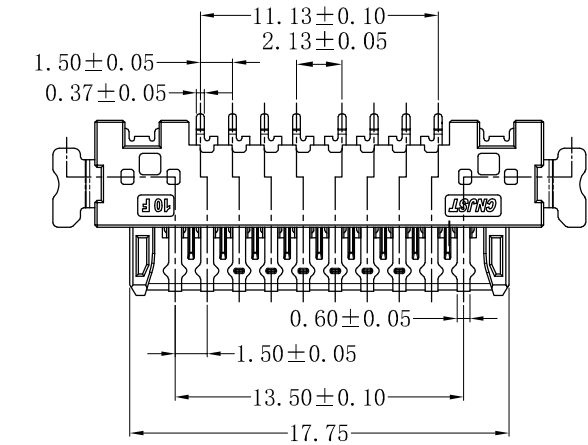


RoHS Compliant

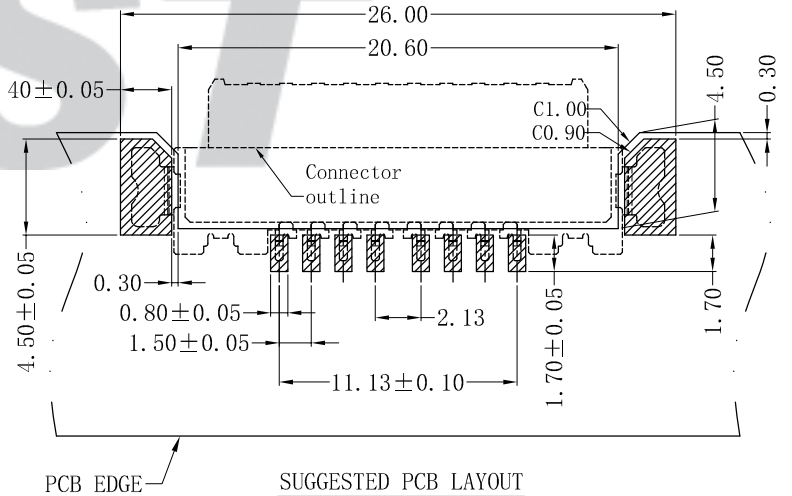


SPECIFICATION

- 1 Contact resistance: $\leq 30m\Omega$
- 2 Insulation resistance: $\geq 100M\Omega$
- 3 Rated voltage: 50 V AC DC
- 4 Rated current: 1.0 A AC DC
- 5 Withstand Voltage: 500V AC/minute
- 6 Temperature Range: $-25^{\circ}C \sim +85^{\circ}C$

ORDER INFORMATION:

B1505G-10-F2MB-R			
PART No.			
No. OF CIRCUITS:	10	PACKAGING:	R=Reel
PLASTIC MATERIAL:	F2M=LCP (Nature)	PLATING:	B=Matte Sn



专利产品

Tolerance X.X ±0.30 X.XX ±0.20 X.XXX ±0.10 Angle ±3.0°	CNJST 捷仕泰企业		Drawn: 黄美程 2023.01.14
	Model No.: B1505G-10-F2MB-R		Checked: 吴丹平
	Model Name: 1.50mm pitch BTB male SMT type		Approved: 林旭芝
	UNIT: mm	SCALE: FULL	REVISION: C/0
			DWG NO. CNJST/GCCP-0700

REV.	DATE	DESCRIPTION	APPD.	NO.	DESCRIPTION	QTY	MATERIAL	PLATING/COLOR
				③	Solder Tab	2	Phosphor Bronze	Matte Sn
C/0	2023.01.14	统一标准 更新模版	黄美程	②	Contacts	8	Phosphor Bronze	Matte Sn
B/0	2020.06.15	NEW RELEASE	王炜彬	①	Insulator	1	LCP (UL94V-0)	Nature