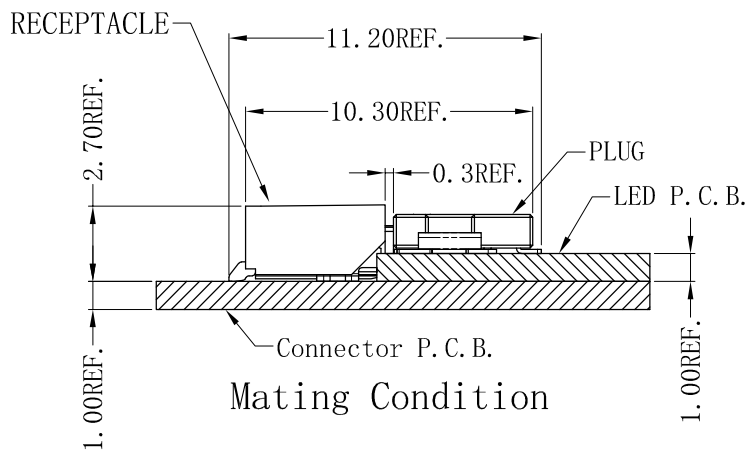
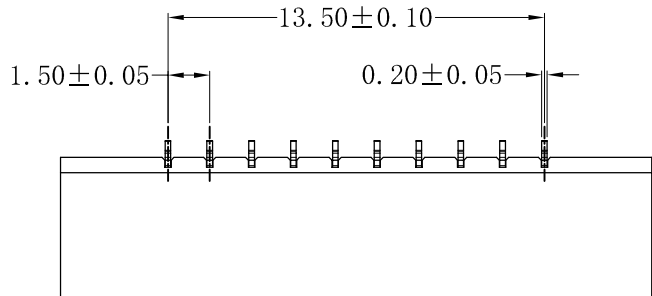


RoHS Compliant



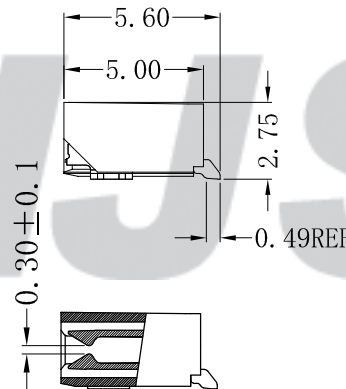
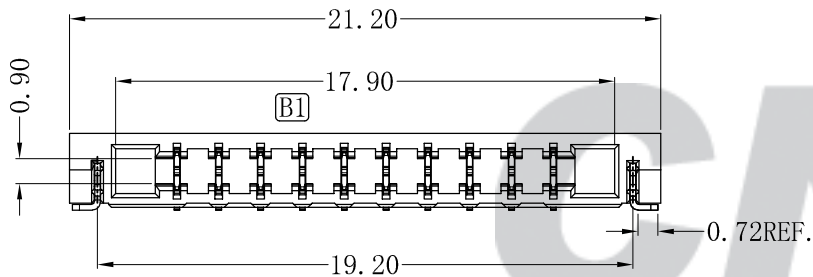
Mating Condition

SPECIFICATION

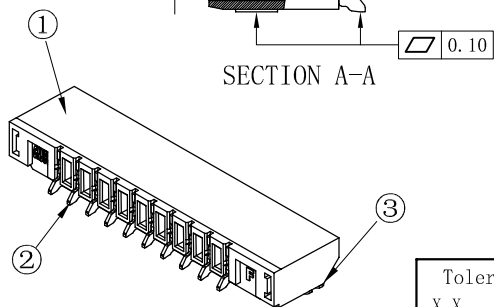
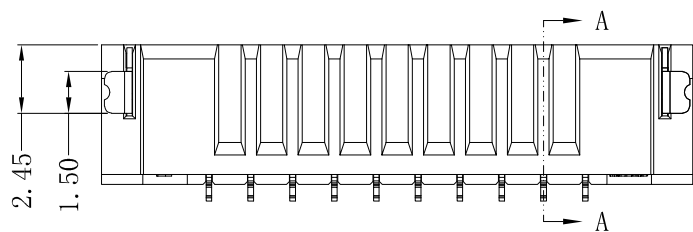
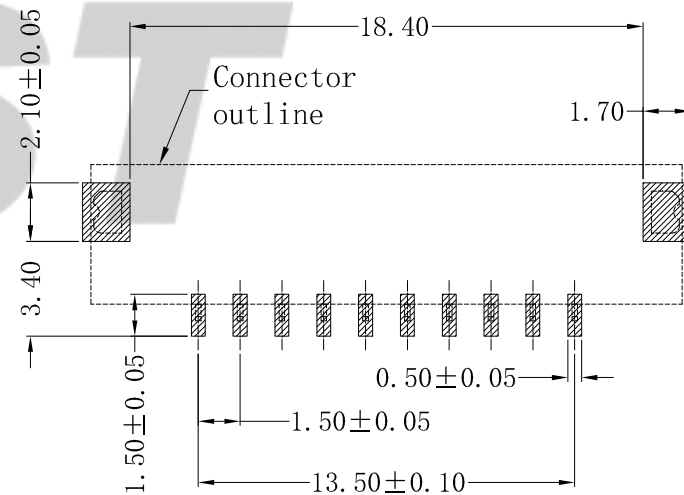
- 1 Contact resistance: $\leq 30m\Omega$
- 2 Insulation resistance: $\geq 100M\Omega$
- 3 Rated voltage: 50 V AC DC
- 4 Rated current: 1.0 A AC DC
- 5 Withstand Voltage: 500V AC/minute
- 6 Temperature Range: $-25^{\circ}C \sim +85^{\circ}C$

B1505M-10-F2MB-R

PART No.:		PACKAGING:	
No. OF CIRCUITS:	10	R=Reel	
PLASTIC MATERIAL:	F2M=LCP (Nature)	PLATING:	B=Matte Sn



SECTION A-A



专利产品

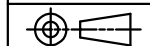
REV.	DATE	DESCRIPTION	APPD.	NO.	DESCRIPTION	QTY	MATERIAL	PLATING/COLOR
C/0	2023.01.14	统一标准 更新模版	黄美程	③	Solder Tab	2	Phosphor Bronze	Matte Sn
B/1	2022.10.13	详见ECN2022029	黄美程	②	Contacts	10	Phosphor Bronze	Matte Sn
B/0	2021.01.21	NEW RELEASE	徐广	①	Insulator	1	LCP (UL94V-0)	Nature

Tolerance	
X.X	±0.30
X.XX	±0.20
X.XXX	±0.10
Angle	±3.0°

UNIT: mm

CNJST 捷仕泰企业

Model No.: B1505M-10-F2MB-R
Model Name: 1.50mm pitch BTB female SMT type



SCALE: FULL

REVISION: C/0

Drawn: 黄美程 2023.01.14

Checked: 吴丹平

Approved: 林旭芝

DWG NO. CNJST/GCCP-0701