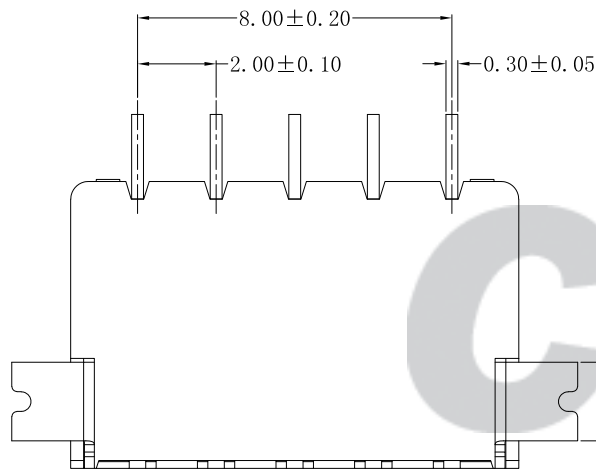
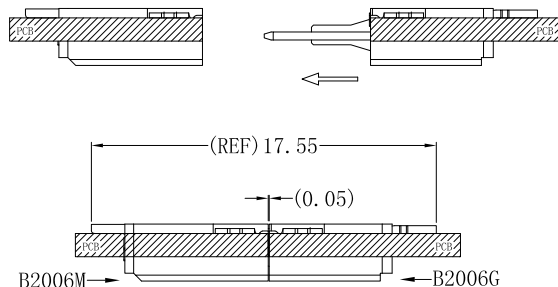
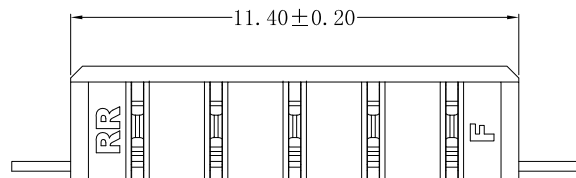
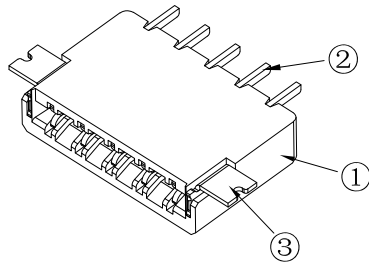
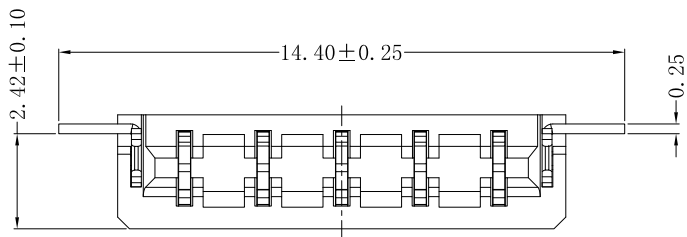
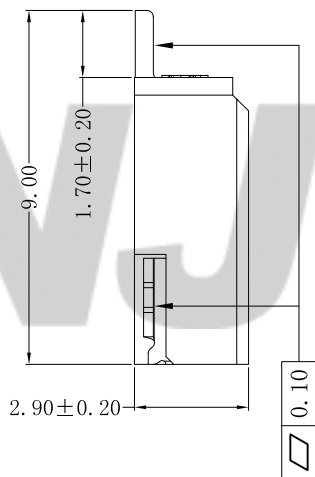


RoHS Compliant



MATING VIEW
SCALE 1:2



SPECIFICATION

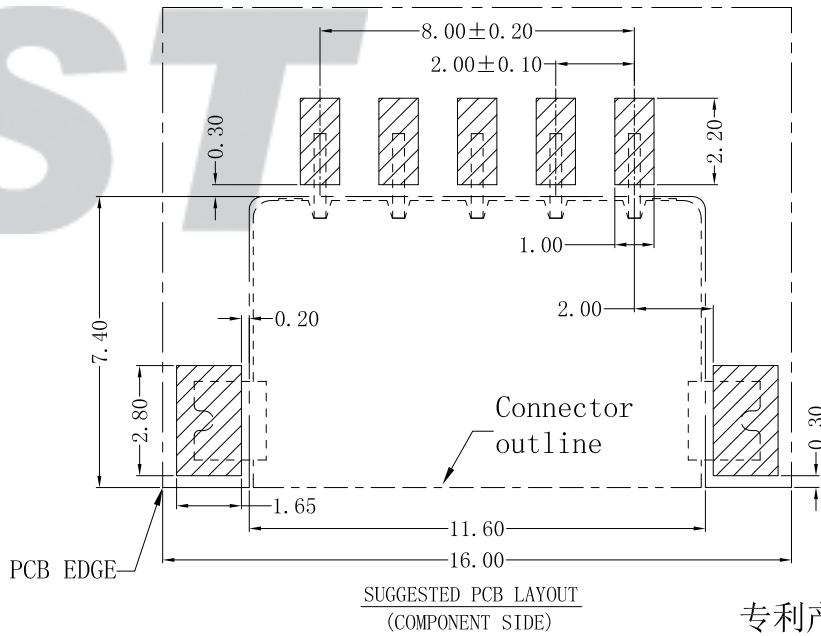
- 1 Contact resistance: $\leq 30m\Omega$
- 2 Insulation resistance: $\geq 1000M\Omega$
- 3 Rated voltage: 250 V AC DC
- 4 Rated current: 1.0 A AC DC
- 5 Withstand Voltage: 1500V AC/minute
- 6 Temperature Range: $-25^{\circ}C \sim +85^{\circ}C$

ORDER INFORMATION:

B2006M-05-F2MB-R

PART No. _____
 No. OF CIRCUITS: _____
 |05 _____
 PLASTIC MATERIAL: _____
 F2M=LCP (Nature) _____

PACKAGING: _____
 R=Reel _____
 PLATING: _____
 B=Matte Sn _____



注：此款产品不适用于铝基板

Tolerance X.X ±0.30 X.XX ±0.20 X.XXX ±0.10 Angle ±3.0°	CNJST 捷仕泰企业		Drawn: 王丽君 2022. 12. 15
	Model No.: B2006M-05-F2MB-R		Checked: 吴丹平
UNIT: mm	Model Name: 2.00mm pitch BTB FEMALE Connector		Approved: 林旭芝
		SCALE: FULL	REVISION: C/0
			DWG NO. CNJST/GCCP-0771

REV.	DATE	DESCRIPTION	APPD.	NO.	DESCRIPTION	QTY	MATERIAL	PLATING/COLOR
				③	Solder Tab	2	Brass	Matte Sn
				②	Contacts	5	Phosphor Bronze	Matte Sn
C/0	2022. 12. 15	统一标准 更新模板	王丽君	①	Insulator	1	LCP (UL94V-0)	Nature

专利产品