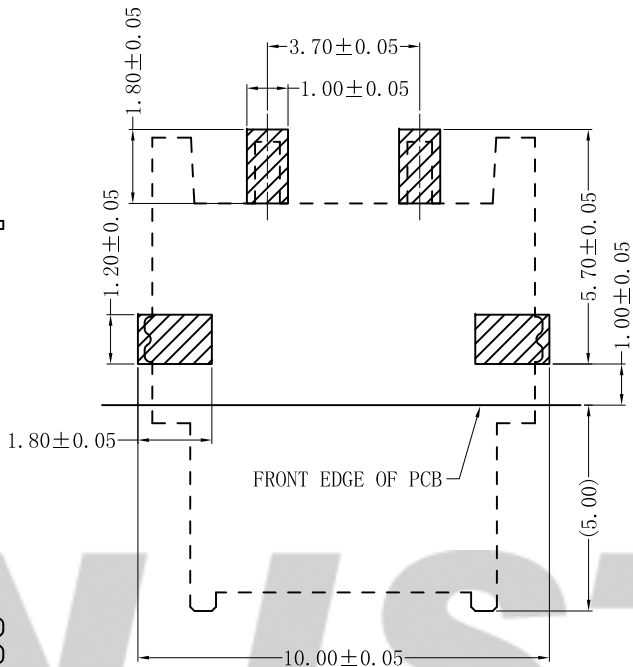
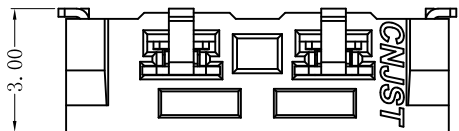
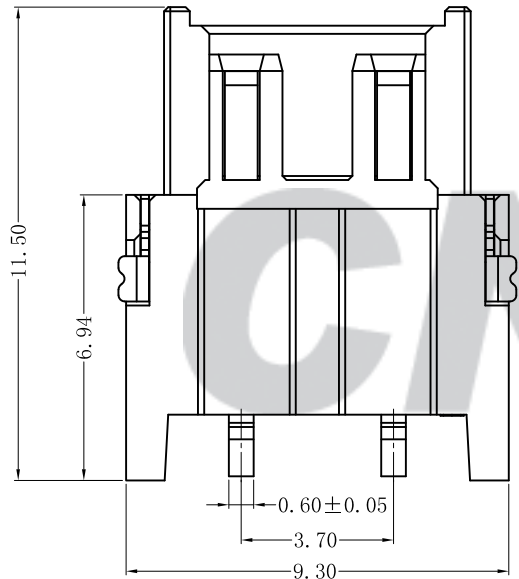
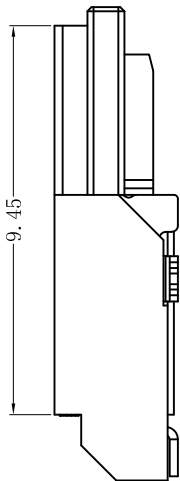
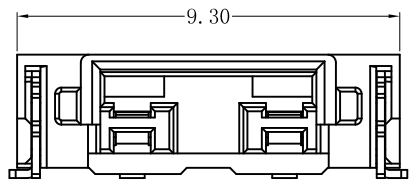
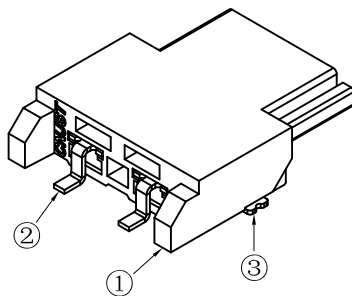


RoHS Compliant



SUGGESTED PCB LAYOUT
(COMPONENT SIDE)



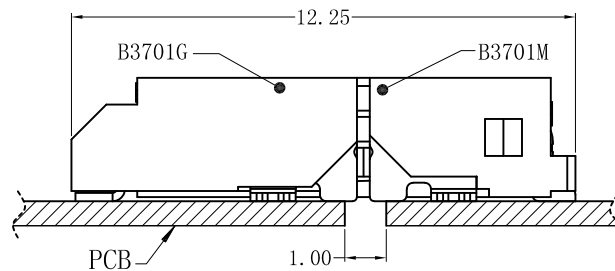
SPECIFICATION

- 1 Contact resistance: $\leq 40m\Omega$
- 2 Insulation resistance: $\geq 1000M\Omega$
- 3 Rated voltage: 500 V AC DC
- 4 Rated current: 2 A AC DC
- 5 Withstand Voltage: 1500V AC/minute
- 6 Temperature Range: $-25^{\circ}C \sim +85^{\circ}C$

ORDER INFORMATION:

B3701G-02-F2MB-R

PART No.	B3701G-02-F2MB-R	
No. OF CIRCUITS:	02	PACKAGING: R=Reel
PLASTIC MATERIAL:	F2M=LCP (NATURE)	PLATING: B=Matte Sn



专利产品

REV.	DATE	DESCRIPTION	APPD.	NO.	DESCRIPTION	QTY	MATERIAL	PLATING/COLOR
C/O	2022. 12. 09	统一标准 更新模板	王丽君	③	SOLDER TAB	2	Phosphor Bronze	Matte Sn
B/O	2020. 12. 17	NEW RELEASE	黄羨程	②	CONTACTS	2	Phosphor Bronze	Matte Sn
				①	HOUSING	1	LCP (UL94V-0)	Nature

Tolerance	X.X ±0.30
	X.XX ±0.20
	X.XXX ±0.10
Angle	±3.0°
UNIT:	mm

CNJST 捷仕泰企业	
Model No.: B3701G-02-F2MB-R	
Model Name: 3.70mm pitch BTB MALE SMT TYPE	
SCALE: FULL	REVISION: C/0

Drawn: 王丽君 2022. 12. 09
Checked: 吴丹平
Approved: 林旭芝
DWG NO. CNJST/GCCP-0355