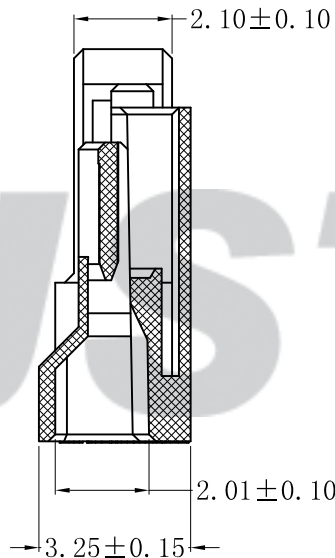
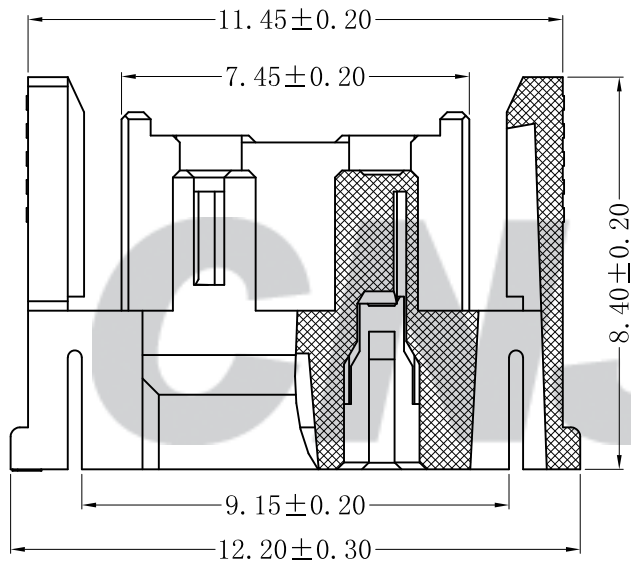
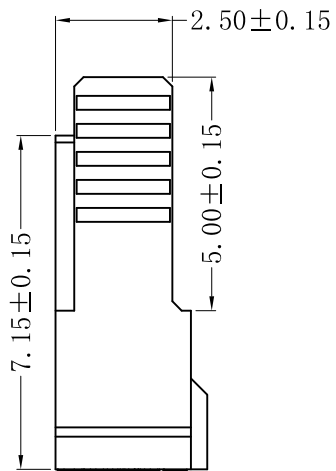
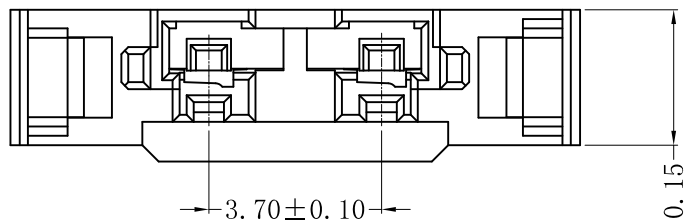
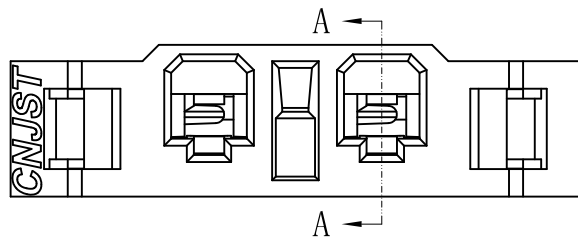


RoHS Compliant



SECTION A-A

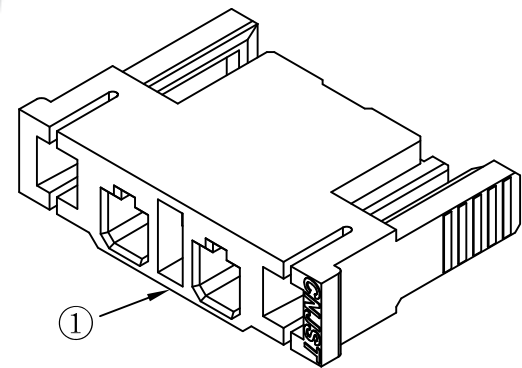


SPECIFICATION

- 1 Contact resistance: $\leq 40\text{m}\Omega$
- 2 Insulation resistance: $\geq 1000\text{M}\Omega$
- 3 Rated voltage: 500 V AC DC
- 4 Rated current: 2 A AC DC
- 5 Withstand Voltage: 1500V AC/minute
- 6 Temperature Range: $-25^{\circ}\text{C} \sim +85^{\circ}\text{C}$

ORDER INFORMATION:

B3701Y-02-E1W-P	
PART No.	PACKAGING: P=PE
No. OF CIRCUITS: 02	PLASTIC MATERIAL: E1W=PBT (WHITE)



Tolerance X.X ±0.30 X.XX ±0.20 X.XXX ±0.10 Angle ±3.0° UNIT: mm	CNJST 捷仕泰企业		Drawn: 王丽君 2022. 12. 09
	Model No.: B3701Y-02-E1W-P		Checked: 吴丹平
	Model Name: 3.70mm PITCH HOUSING		Approved: 林旭芝
	SCALE: FULL REVISION: C/0	DWG NO. CNJST/GCCP-0356	

C/0	2022. 12. 09	更新模板	王丽君						
A/2	2018. 08. 14	卡勾外侧增加脱模筋	陈万勇						
A/1	2017. 11. 14	材质PA66改为PBT	陈万勇	①	HOUSING	1	PBT (UL94V-0)	WHITE	
REV.	DATE	DESCRIPTION	APPD.	NO.	DESCRIPTION	QTY	MATERIAL	PLATING/COLOR	