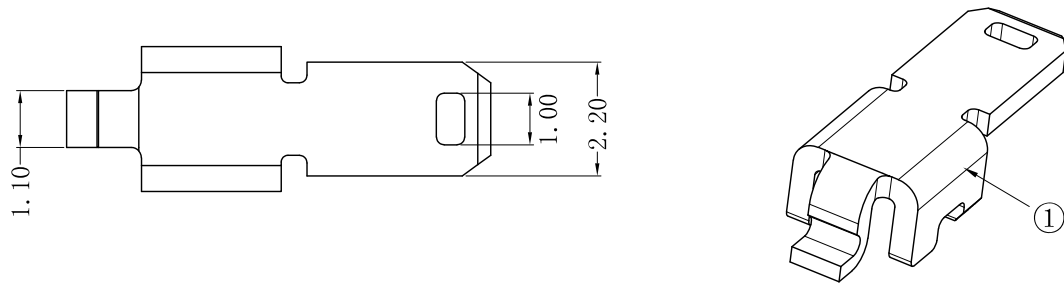


RoHS Compliant

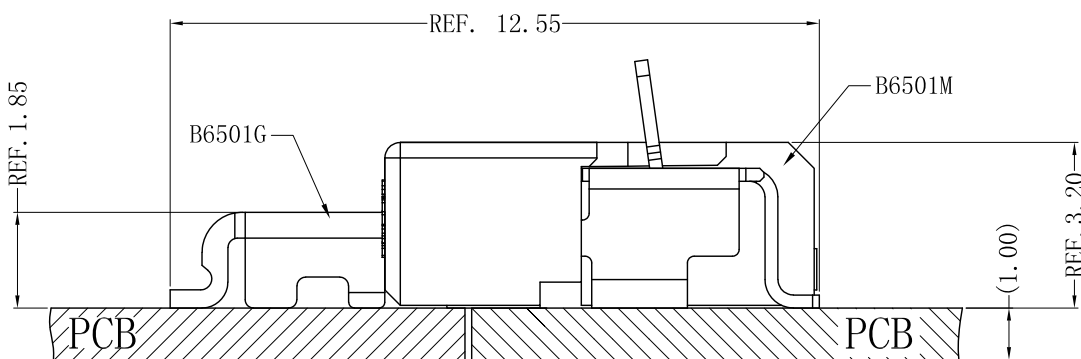
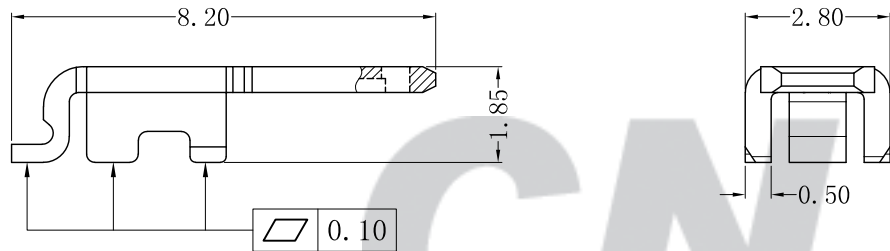


SPECIFICATION

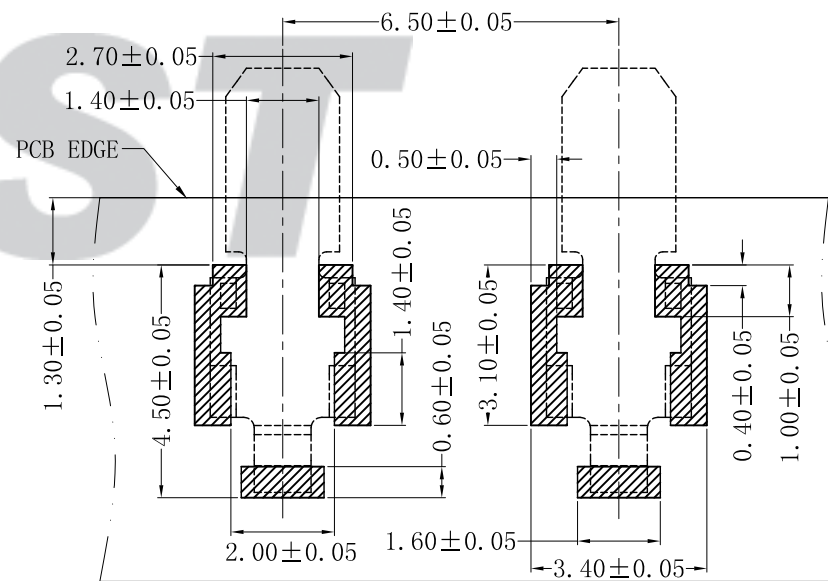
- 1 Contact resistance: $\leq 20m\Omega$
- 2 Insulation resistance: $\geq 100M\Omega$
- 3 Rated voltage: 150 V AC DC
- 4 Rated current: 1.0 A AC DC
- 5 Withstand Voltage: 500V AC/minute
- 6 Temperature Range: $-25^{\circ}C \sim +85^{\circ}C$

ORDER INFORMATION:

B6501G-BA-R	
PART No. _____	PACKAGING: R=Reel
PLASTIC MATERIAL: B=Brass	PLATING: A=Tin-plated



MATING VIEW



SUGGESTED PCB LAYOUT
(COMPONENT SIDE)

专利产品

Tolerance X.X ±0.30 X.XX ±0.20 X.XXX ±0.10 Angle ±3.0°	CNJST 捷仕泰企业		Drawn: 王丽君 2022.12.19
	Model No.: B6501G-BA-R		Checked: 吴丹平
	Model Name: 6.50mm pitch BTB male SMT type		Approved: 林旭芝
UNIT: mm		SCALE: FULL	REVISION: C/0
			DWG NO. CNJST/GCCP-0718

C/O	2022.12.19	统一标准 更新模板	王丽君	①	Contacts	1	Brass	Tin-plated
REV.	DATE	DESCRIPTION	APPD.	NO.	DESCRIPTION	QTY	MATERIAL	PLATING/COLOR