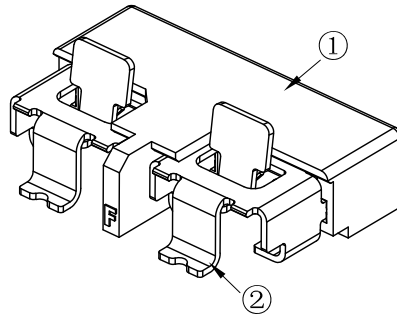
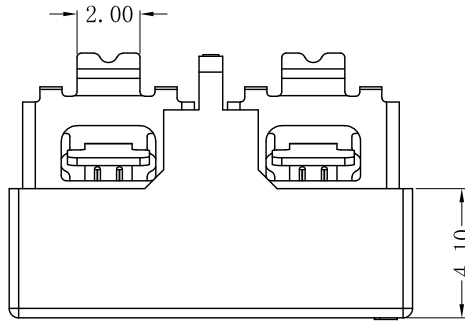


RoHS Compliant

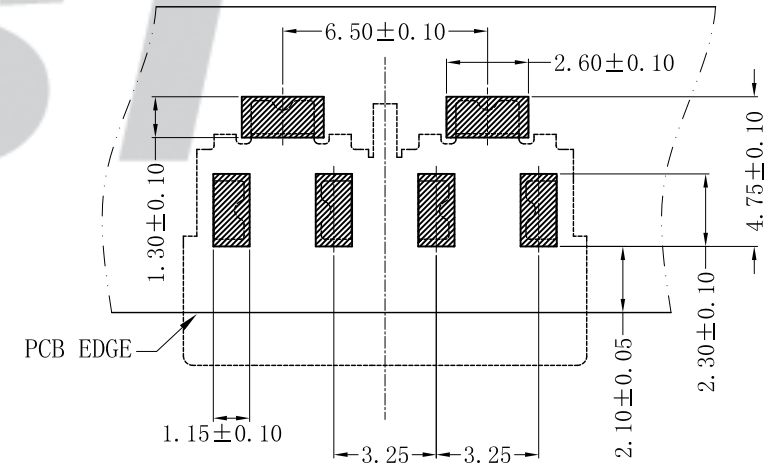
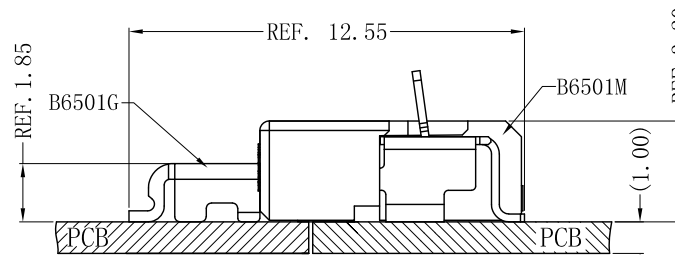
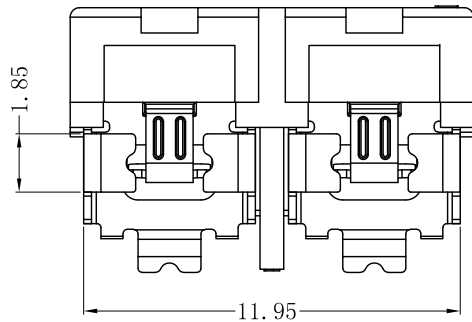
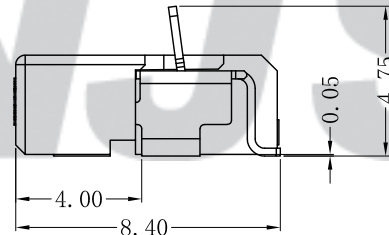
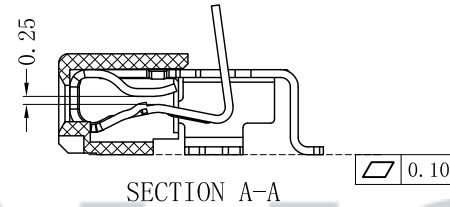
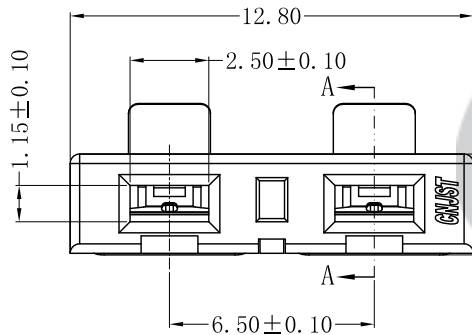


SPECIFICATION

- 1 Contact resistance: $\leq 20m\Omega$
- 2 Insulation resistance: $\geq 100M\Omega$
- 3 Rated voltage: 150 V AC DC
- 4 Rated current: 1.0 A AC DC
- 5 Withstand Voltage: 500V AC/minute
- 6 Temperature Range: $-25^{\circ}C \sim +85^{\circ}C$

ORDER INFORMATION:

B6501M-02-F2MA-R			
PART No.		PACKAGING:	R=REEL
No. OF CIRCUITS:	02	PLATING:	A=Tin-plated
PLASTIC MATERIAL:	F2M=LCP (Nature)		



MATING VIEW

SUGGESTED PCB LAYOUT
(COMPONENT SIDE)

专利产品

Tolerance	
X.X	± 0.30
X.XX	± 0.20
X.XXX	± 0.10
Angle	$\pm 3.0^{\circ}$
UNIT:	mm

CNJST 捷仕泰企业	
Model No.: B6501M-02-F2MA-R	
Model Name: 6.50mm pitch BTB Female SMT type	
	SCALE: FULL
REVISION: C/0	

Drawn: 王丽君 2022.12.15
Checked: 吴丹平
Approved: 林旭芝
DWG NO. CNJST/GCCP-0717

C/O	DATE	DESCRIPTION	APPD.	NO.	DESCRIPTION	QTY	MATERIAL	PLATING/COLOR
	2022.12.15	更新模板	王丽君	②	Contacts	2	Phosphor Bronze	Tin-plated
				①	Insulator	1	LCP (UL94V-0)	Nature