

RoHS Compliant

SPECIFICATION

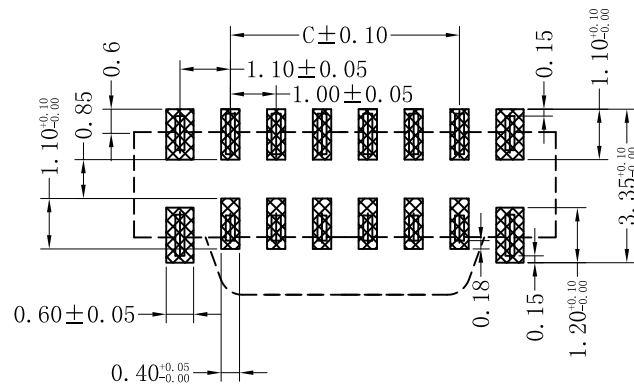
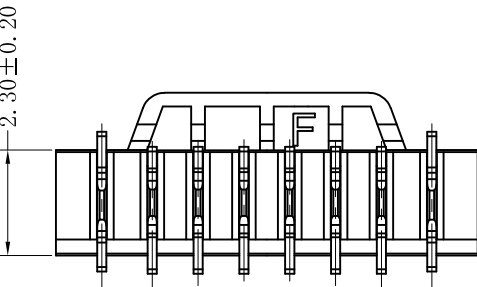
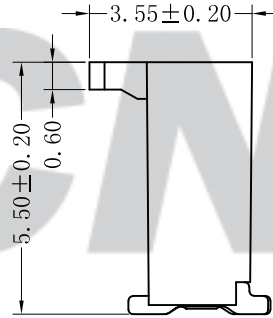
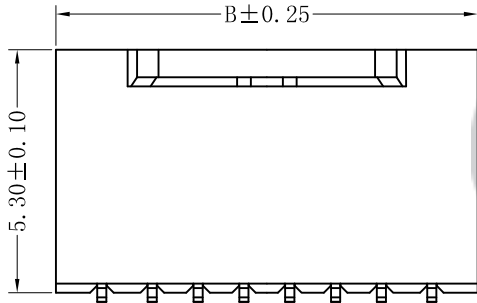
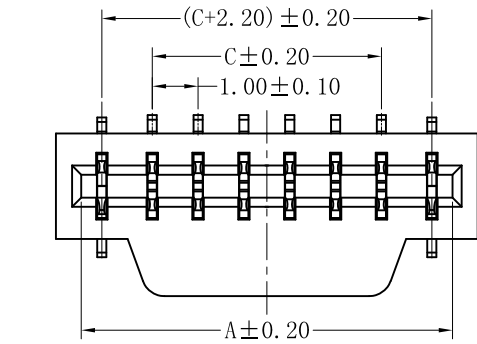
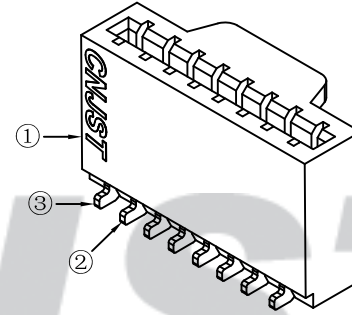
- 1 Contact resistance: $\leq 20m\Omega$
- 2 Insulation resistance: $\geq 500M\Omega$
- 3 Rated voltage: 150 V AC DC
- 4 Rated current: 1.0 A AC DC
- 5 Withstand Voltage: 500V AC/minute
- 6 Temperature Range: $-25^{\circ}C \sim +85^{\circ}C$

ORDER INFORMATION:

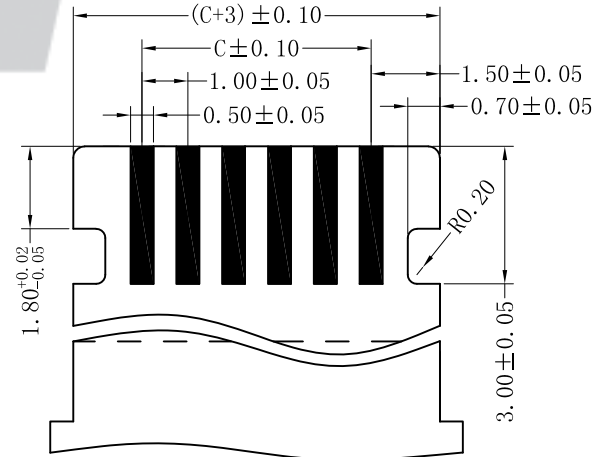
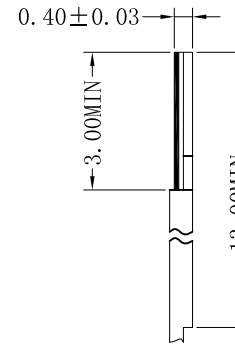
F1009AWV--F2MB-R**

PART No.			
No. OF CIRCUITS:	05~15		PACKAGING: R=Reel
PLASTIC MATERIAL:	F2M=LCP (Nature)		PLATING: B=Matte Sn

Circuits	Dimensions		
	A	B	C
05	7.10	8.20	4.00
06	8.10	9.20	5.00
07	9.10	10.20	6.00
08	10.10	11.20	7.00
09	11.10	12.20	8.00
10	12.10	13.20	9.00
11	13.10	14.20	10.0
12	14.10	15.20	11.00
13	15.10	16.20	12.00
14	16.10	17.20	13.00
15	17.10	18.20	14.00



SUGGESTED PCB LAYOUT
(COMPONENT SIDE)



Accommodated FFC
(COMPONENT SIDE)

专利产品

C/O	2022.12.02	更新模板	李浩然
B/O	2019.03.22	NEW RELEASE	
REV.	DATE	DESCRIPTION	APPD.

NO.	DESCRIPTION	QTY	MATERIAL	PLATING/COLOR
③	Solder Tab	2	Phosphor Bronze	Matte Sn
②	Contacts	5~15	Phosphor Bronze	Matte Sn
①	Insulator	1	LCP(UL94V-0)	Nature

Tolerance	
X.X	±0.30
X.XX	±0.20
X.XXX	±0.10
Angle	±3.0°
UNIT:	mm

CNJST 捷仕泰企业

Model No.: F1009AWV-**-F2MB-R

Model Name: 1.00mm PITCH 180° SMT FFC/FPC

SCALE: FULL

REVISION: C/0

Drawn:	李浩然 2022.12.02
Checked:	吴丹平
Approved:	林旭芝
DWG NO.:	CNJST/GCCP-0386