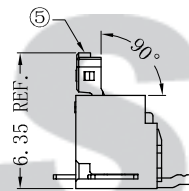
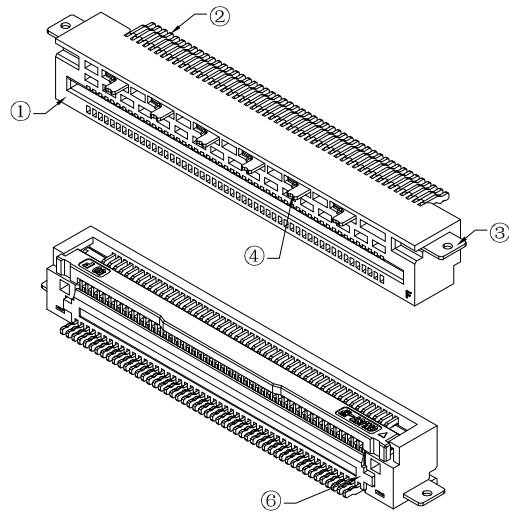
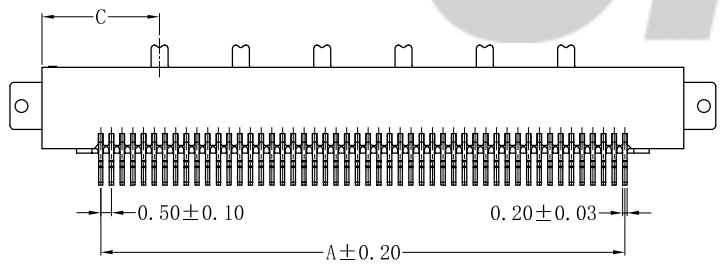
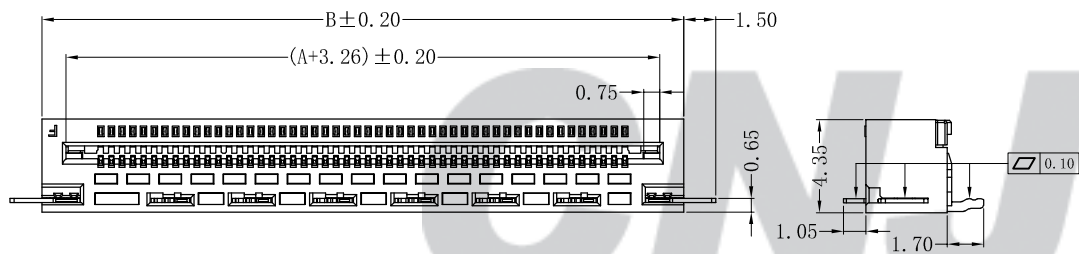
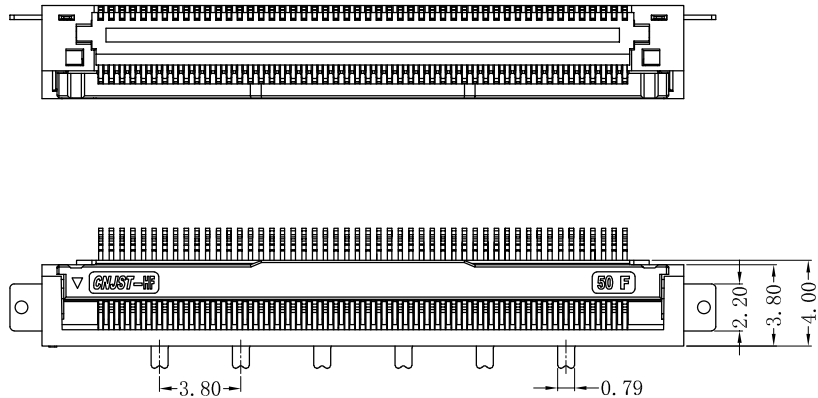
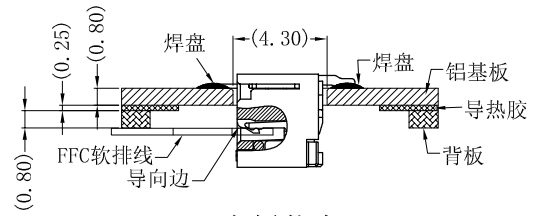
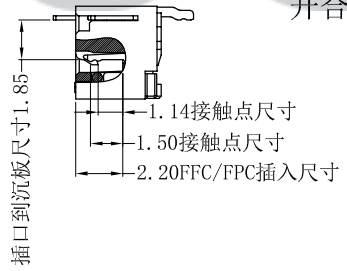


RoHS Compliant



开合状态



上板状态

SPECIFICATION

- 1 Contact resistance: $\leq 30m\Omega$
- 2 Insulation resistance: $\geq 100M\Omega$
- 3 Rated voltage: 50 V AC DC
- 4 Rated current: 0.5 A AC DC
- 5 Withstand Voltage: 250V AC/minute
- 6 Temperature Range: $-25^{\circ}C \sim +85^{\circ}C$

ORDER INFORMATION:

FA0502AWR-**-F2MC-R	
PART No.:	PACKAGING:
No. OF CIRCUITS:	R=Reel
30/40/50/51/60/68	PLATING:
PLASTIC MATERIAL:	C=Gold-plated
F2M=LCP (Nature)	

Circuits	Dimensions (mm)		
	A	B	C
30	14.50	20.00	4.30
40	19.50	25.00	4.90
50	24.50	30.00	5.50
51	25.00	30.50	5.75
60	29.50	35.00	6.10
68	33.50	39.00	6.20

*使用MINi沉板式FPC须管控铝基板沉孔框口毛刺和拉丝现象，避免接触风险，建议铝基板沉孔框口倒角。
*注：建议客户使用我司配套的线材，配套线端使用镀金工艺。

NO.	DESCRIPTION	QTY	MATERIAL	PLATING/COLOR
⑥	Back cover	1	LCP (UL94V-0)	Nature
⑤	Locker	1	LCP (UL94V-0)	Black
④	Solder Tab	4~8	SUS301	Matte Sn
③	Solder Tab	2	Brass	Matte Sn
②	Contacts	30/40/50/51/60/68	Phosphor Bronze	Gold-plated
①	Insulator	1	LCP (UL94V-0)	Nature

Tolerance	
X.X	±0.30
X.XX	±0.20
X.XXX	±0.10
Angle	±3.0°
UNIT:	mm

专利产品

CNJST 捷仕泰企业

Model No.: FA0502AWR-**-F2MC-R

Model Name: 0.50mm pitch 90° FFC/FPC TYPE

Drawn: 王程伟 2022.06.15

Checked: 吴丹平

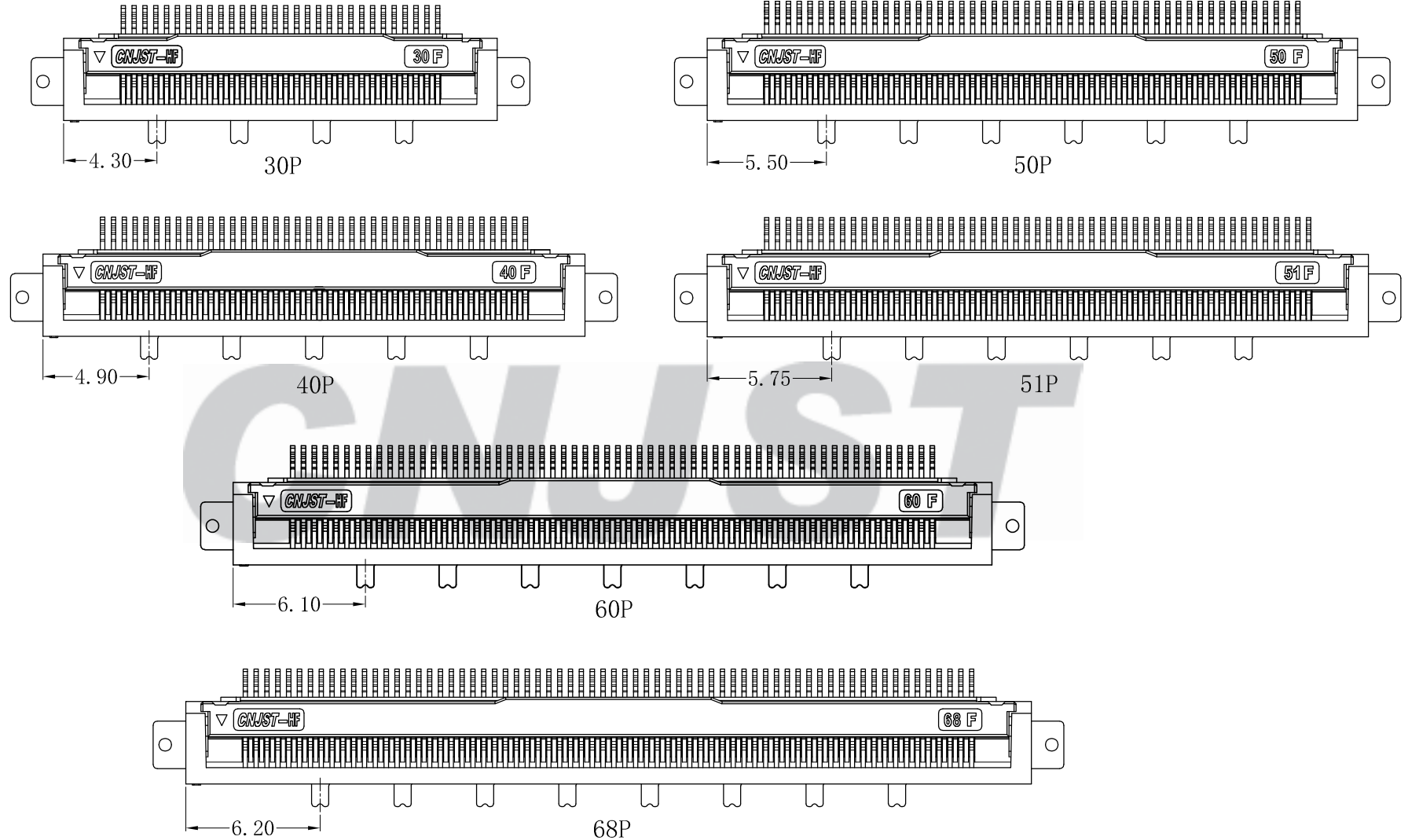
Approved: 林旭芝

DWG NO. CNJST/GCCP-0810

REV.	DATE	DESCRIPTION	APPD.
C/0	2022.06.15	更新模板	王程伟

RoHS Compliant

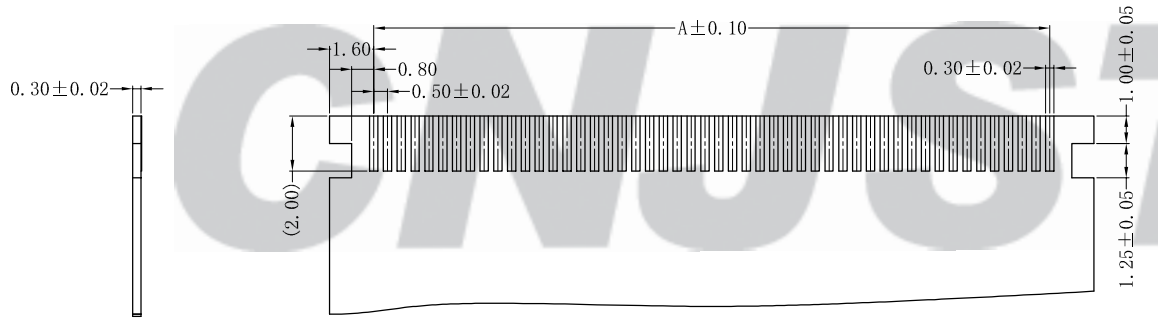
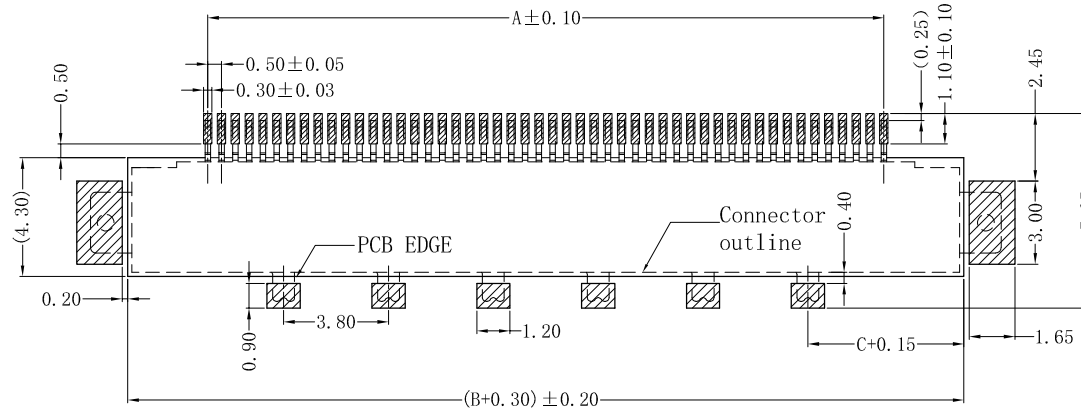
PIN位结构示意图



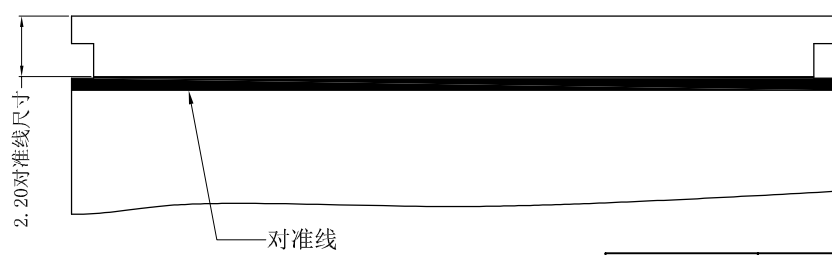
C/0	2022. 06. 15	更新模板	王程伟
REV.	DATE	DESCRIPTION	APPD.

Tolerance X.X ±0.30 X.XX ±0.20 X.XXX ±0.10 Angle ±3.0°	CNJST 捷仕泰企业		Drawn: 王程伟 2022. 06. 15
	Model No. : FA0502AWR-**-F2MC-R		Checked: 吴丹平
UNIT: mm	Model Name: 0.50mm pitch 90° FFC/FPC TYPE		Approved: 林旭芝
		SCALE: FULL	REVISION: C/0
			DWG NO. CNJST/GCCP-0810

RoHS Compliant



Circuits	Dimensions (mm)		
	A	B	C
30	14.50	20.00	4.30
40	19.50	25.00	4.90
50	24.50	30.00	5.50
51	25.00	30.50	5.75
60	29.50	35.00	6.10
68	33.50	39.00	6.20



Tolerance X.X ±0.30 X.XX ±0.20 X.XXX ±0.10 Angle ±3.0°	CNJST 捷仕泰企业		Drawn: 王程伟 2022.06.15
	Model No.: FA0502AWR-**-F2MC-R		Checked: 吴丹平
UNIT: mm	Model Name: 0.50mm pitch 90° FFC/FPC TYPE		Approved: 林旭芝
		SCALE: FULL	REVISION: C/0
			DWG NO. CNJST/GCCP-0810

C/0	2022.06.15	更新模板	王程伟
REV.	DATE	DESCRIPTION	APPD.