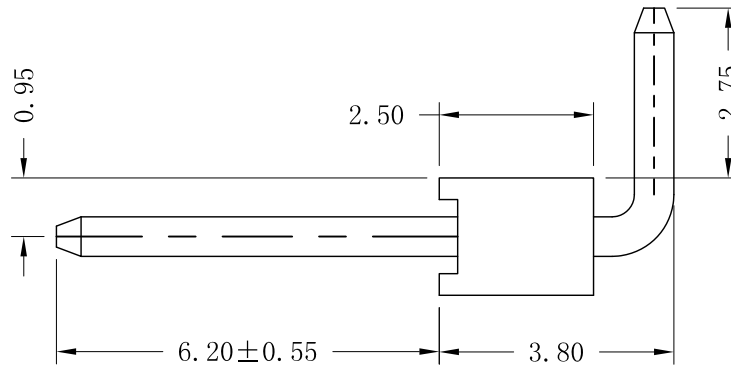
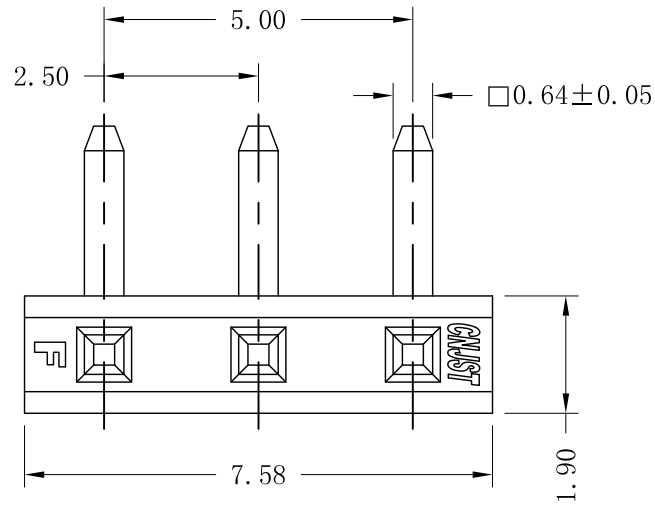


RoHS Compliant

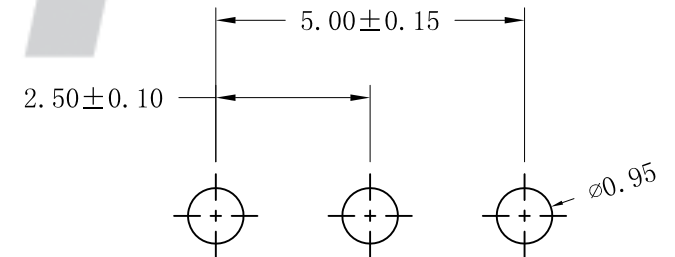
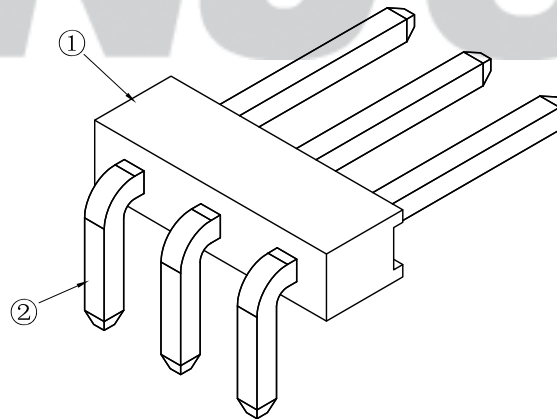
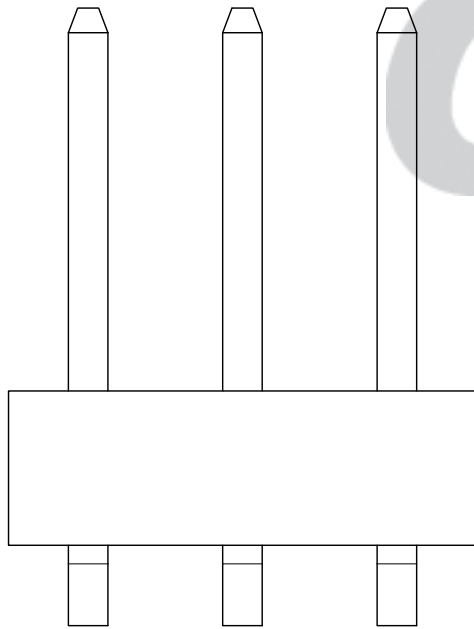


SPECIFICATION

- 1 Contact resistance:  $\leq 20m\Omega$
- 2 Insulation resistance:  $\geq 1000M\Omega$
- 3 Rated voltage: 250 V AC DC
- 4 Rated current: 2.0 A AC DC
- 5 Withstand Voltage: 1000V AC/minute
- 6 Temperature Range:  $-25^{\circ}C \sim +85^{\circ}C$

ORDER INFORMATION:

<b>T2503G-03-B1MA-P</b>			
PART No.			
No. OF CIRCUITS:	03	PACKAGING:	P=PE
PLASTIC MATERIAL:	B1M=PA46 (Nature)	PLATING:	A=fin Plated



SUGGESTED PCB LAYOUT  
(COMPONENT SIDE)

专利产品

REV.	DATE	DESCRIPTION	APPD.	NO.	DESCRIPTION	QTY	MATERIAL	PLATING/COLOR
C/0	2023.08.21	更新模版	李浩然	②	Contacts	3	Brass	Tin-plated
B/0	2018.10.25	NEW RELEASE		①	Insulator	1	PA46 (UL94V-0)	Nature

Tolerance	X.X ±0.30
	X.XX ±0.20
	X.XXX ±0.10
Angle	±3.0°
UNIT:	mm

**CNJST 捷仕泰企业**

Model No.: T2503G-03-B1MA-P

Model Name: 2.50mm Pitch Wafer-DIP TYPE

SCALE: FULL    REVISION: C/0

Drawn: 李浩然 2023.08.21
Checked: 吴丹平
Approved: 林旭芝
DWG NO. CNJST/GCCP-0469