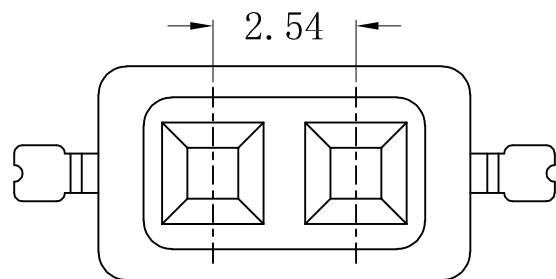


RoHS Compliant



SPECIFICATION

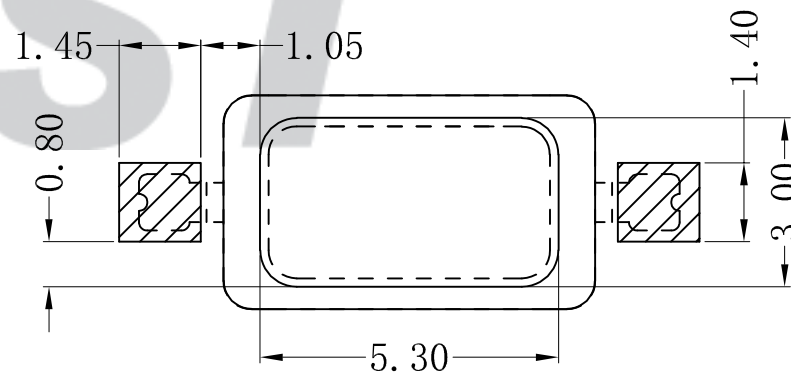
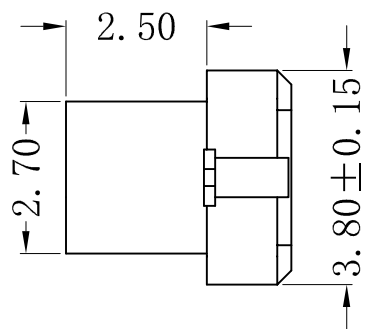
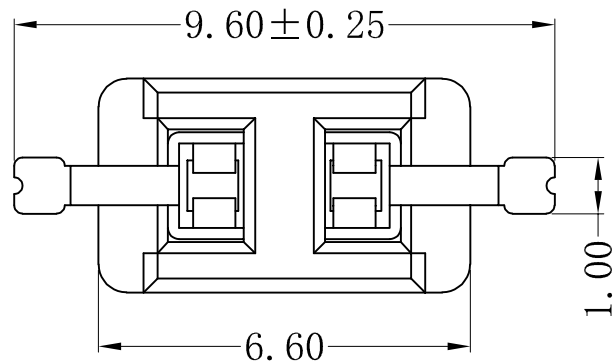
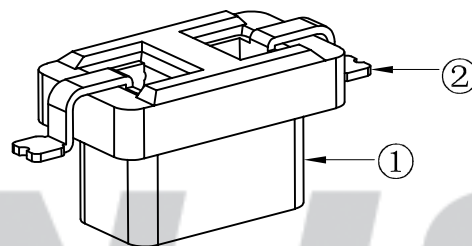
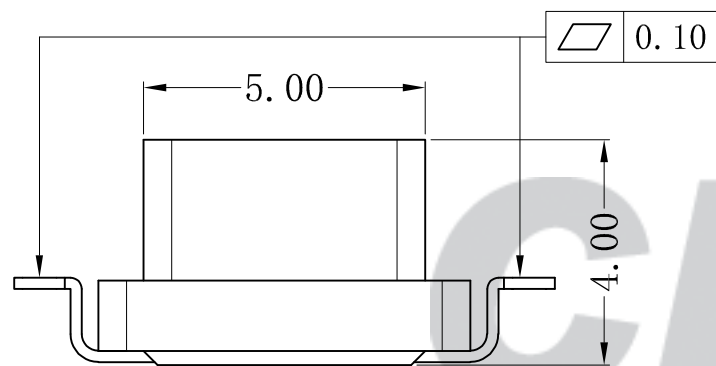
- 1 Contact resistance: $\leq 20m\Omega$
- 2 Insulation resistance: $\geq 1000M\Omega$
- 3 Rated voltage: 275 V AC DC
- 4 Rated current: 1.0 A AC DC
- 5 Withstand Voltage: 500V AC/minute
- 6 Temperature Range: $-25^{\circ}C \sim +85^{\circ}C$

ORDER INFORMATION:

T25401M-02-F2MB-R

PART No. _____
 No. OF CIRCUITS: _____
 02
 PLASTIC MATERIAL: _____
 F2M=LCP (Nature)

PACKAGING:
 R=Reel
 PLATING:
 B=Mattn Sn



SUGGESTED PCB LAYOUT
(COMPONENT SIDE)

专利产品

REV.	DATE	DESCRIPTION	APPD.	NO.	DESCRIPTION	QTY	MATERIAL	PLATING/COLOR
C/0	2022.12.16	统一标准 更新模版	黄美程	②	Contacts	2	Phosphor Bronze	Matte-Sn
B/0	2018.08.23	NEW RELEASE	黄金林	①	Insulator	1	LCP(UL94V-0)	Nature

Tolerance	X.X ±0.30
	X.XX ±0.20
	X.XXX ±0.10
Angle	±3.0°
UNIT:	mm

CNJST 捷仕泰企业

Model No.: T25401M-02-F2MB-R

Model Name: 2.54mm Pitch 180° Wafer-SMT TYPE

SCALE: FULL

REVISION: C/0

Drawn:	黄美程 2022.12.16
Checked:	吴丹平
Approved:	林旭芝
DWG NO.:	CNJST/GCCP-0432