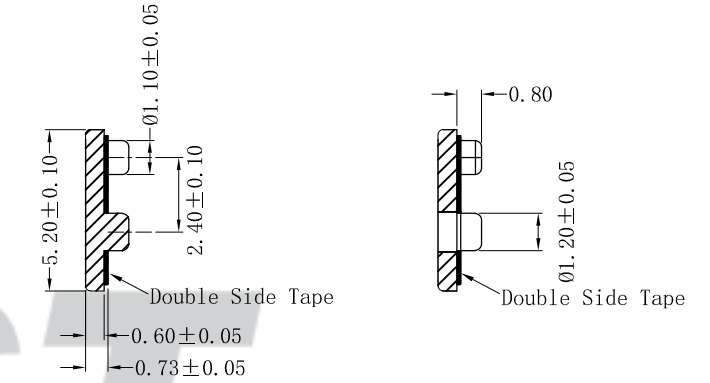
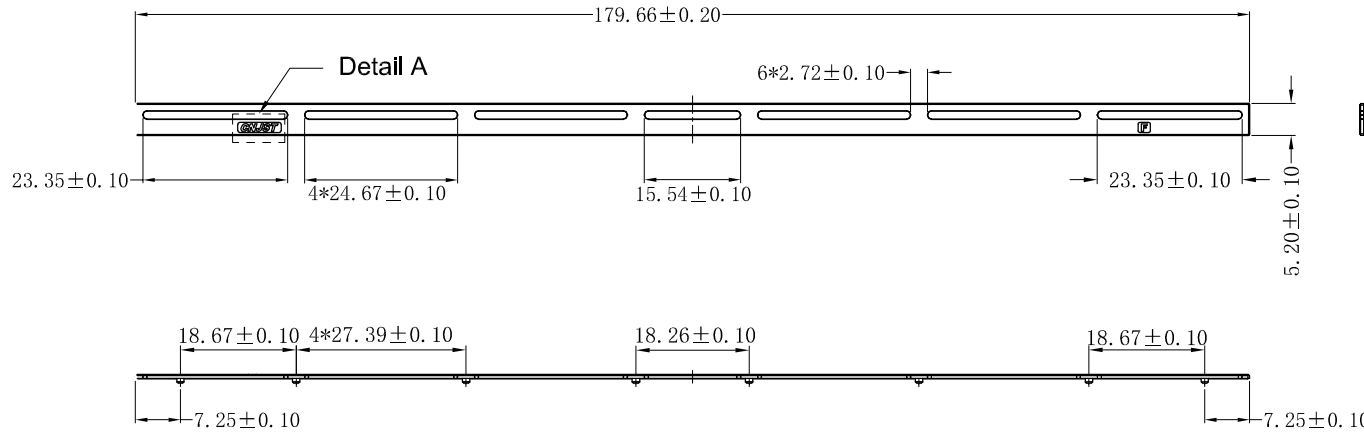


RoHS Compliant

ORDER INFORMATION:

DAM-1805206-H1M-P

PART No.		PACKAGING:	
No. OF CIRCUITS:		P=PE	
Length		PLASTIC MATERIAL:	
Width		H1M=PA9T(White)	
Height			

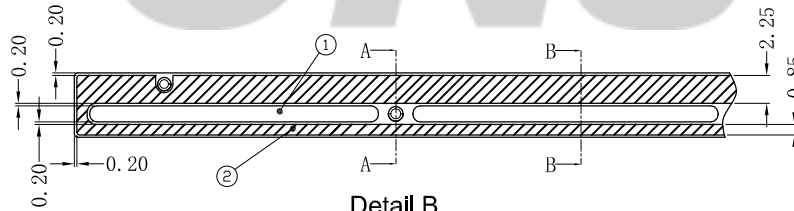


SECTION A-A
SCALE : 5/1

SECTION B-B
SCALE : 5/1



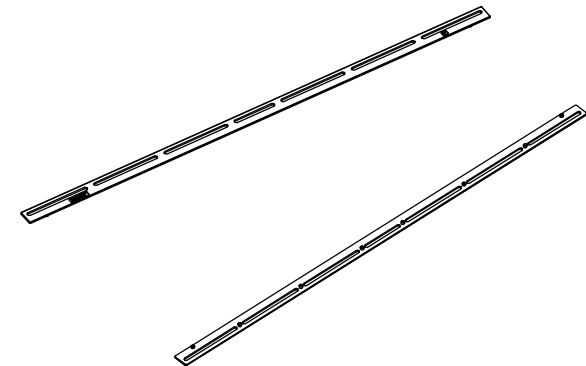
Detail A
SCALE : 3/1



Detail B
SCALE : 2/1

(+)
(-)
Bow 2.5Max.

Camber 5.0Max.
(+)
(-)



专利产品

Tolerance X.X ±0.30 X.XX ±0.20 X.XXX ±0.10 Angle ±3.0° UNIT: mm	CNJST 捷仕泰企业		Drawn: 黄美程 2022.12.05
	Model No.: DAM-1805206-H1M-P		Checked: 吴丹平
	Model Name: Stopper		Approved: 林旭芝
		SCALE: FULL	REVISION: C/0
DWG NO.: CNJST/GCCP-0732			

REV.	DATE	DESCRIPTION	APPD.	NO.	DESCRIPTION	QTY	MATERIAL	PLATING/COLOR
C/0	2022.12.12	更新模版	黄美程	②	Double Side Tape	1	双面胶	
B/0	2020.10.08	NEW RELEASE	黄美程	①	Insulator	1	PA9T(TA115)	White