

RoHS Compliant

ORDER INFORMATION:

DS-383859-K1W-R

PART No.

No. OF CIRCUITS:

Length

Width

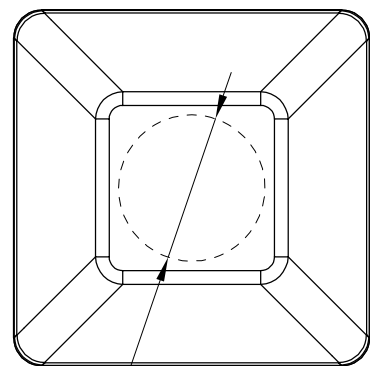
Height

PACKAGING:

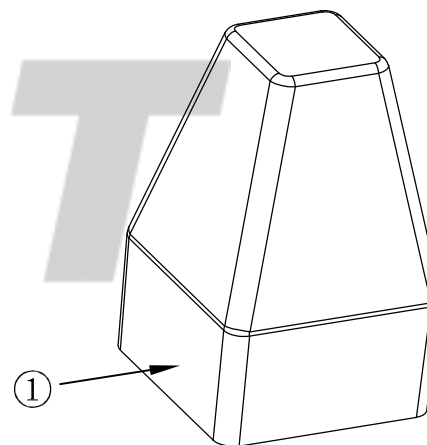
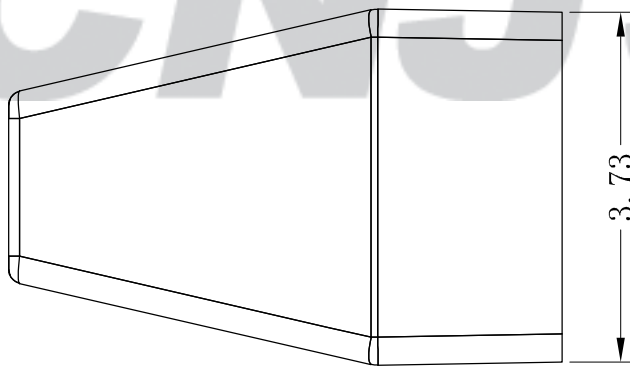
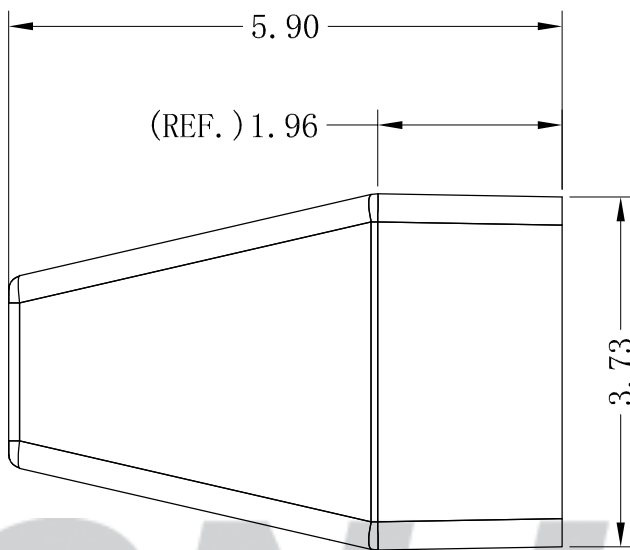
R=REEL

PLASTIC MATERIAL:

K1W=PC(White)



Ø1.55 Nozzle Area



CNJST

专利产品

| REV. | DATE | DESCRIPTION | APPD. | NO. | DESCRIPTION | QTY | MATERIAL | PLATING/COLOR |
|------|------------|-------------|-------|-----|-------------|-----|----------|---------------|
| C/0 | 2022.12.12 | 更新模版 | 黄羨程 | | | | | |
| B/0 | 2019.01.18 | NEW RELEASE | 黄金林 | ① | Insulator | 1 | PC | White |

| | |
|-----------|-------------|
| Tolerance | X.X ±0.30 |
| | X.XX ±0.20 |
| | X.XXX ±0.10 |
| | Angle ±3.0° |

| | | |
|----------------------------|---------------|---------------------|
| CNJST 捷仕泰企业 | | |
| Model No.: DS-383859-K1W-R | | Model Name: Stopper |
| SCALE: FULL | REVISION: C/0 | |

| |
|--------------------------|
| Drawn: 黄羨程 2022.12.12 |
| Checked: 吴丹平 |
| Approved: 林旭芝 |
| DWG NO.: CNJST/GCCP-0579 |

UNIT: mm

