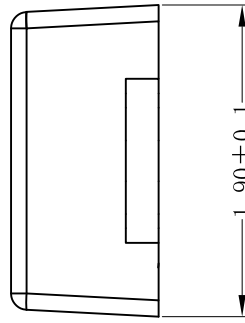
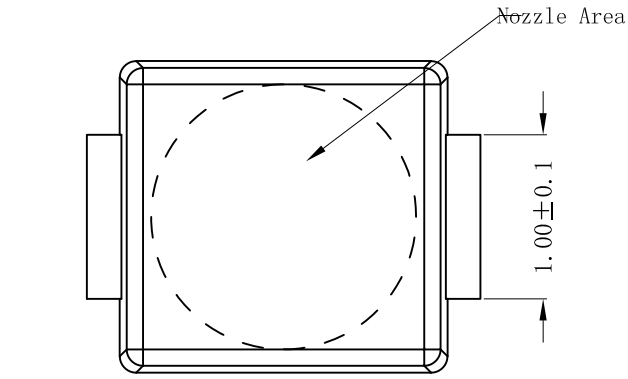


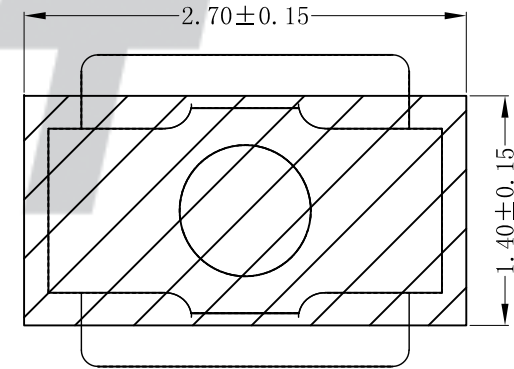
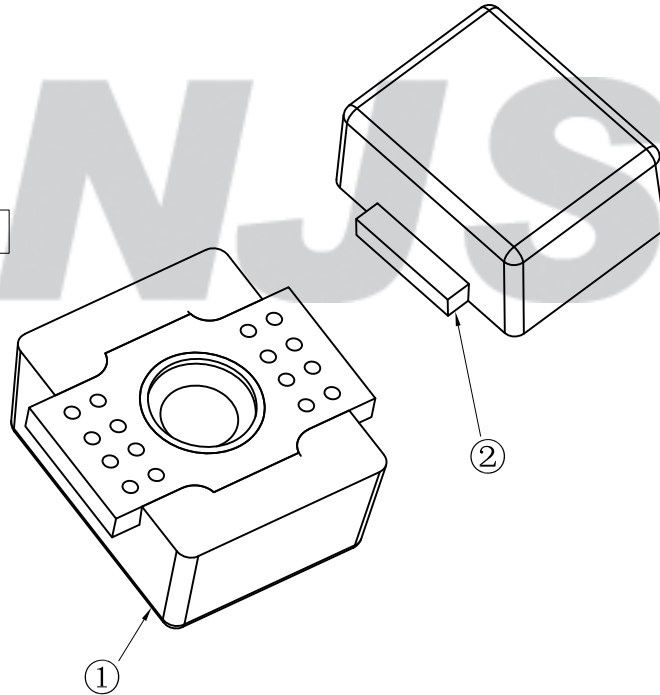
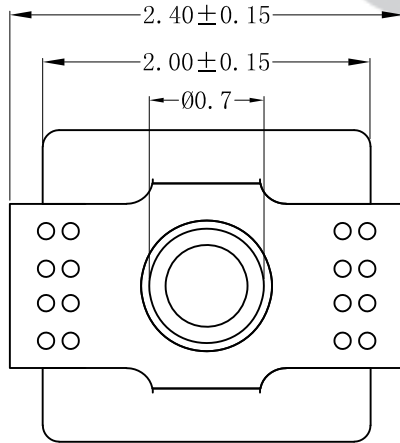
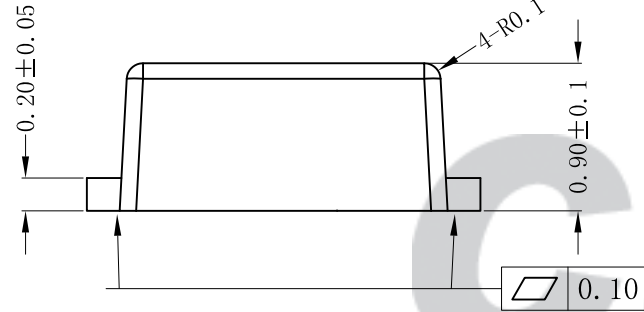
RoHS Compliant



ORDER INFORMATION:


**MD-241909-H1MA-R**

|                  |                   |
|------------------|-------------------|
| PART No.         | PACKAGING:        |
| No. OF CIRCUITS: | R=REEL            |
| Length           | PLATING:          |
| Width            | A=Tin-plated      |
| Height           | PLASTIC MATERIAL: |
|                  | H1M=PA9T(Nature)  |



SUGGESTED PCB LAYOUT  
(COMPONENT SIDE)

专利产品

|   |                             |             |                          |
|---|-----------------------------|-------------|--------------------------|
| Tolerance<br>X.X ±0.30<br>X.XX ±0.20<br>X.XXX ±0.10<br>Angle ±3.0°                    | <b>CNJST 捷仕泰企业</b>          |             | Drawn: 李浩然 2023.01.05    |
|   | Model No.: MD-241909-H1MA-R |             | Checked: 吴丹平             |
|   | Model Name: Stopper         |             | Approved: 林旭芝            |
|   | UNIT: mm                    | SCALE: FULL | REVISION: C/0            |
|  |                             |             | DWG NO.: CNJST/GCCP-0457 |

| REV. | DATE       | DESCRIPTION | APPD. | NO. | DESCRIPTION | QTY | MATERIAL        | PLATING/COLOR |
|------|------------|-------------|-------|-----|-------------|-----|-----------------|---------------|
| C/0  | 2023.01.05 | 更新模板        | 李浩然   | ②   | Contacts    | 1   | Phosphor Bronze | Tin-plated    |
| B/0  | 2017.11.16 | NEW RELEASE |       | ①   | Insulator   | 1   | PA9T(UL94 HB)   | Nature        |