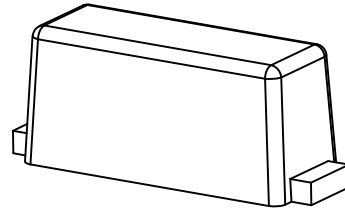
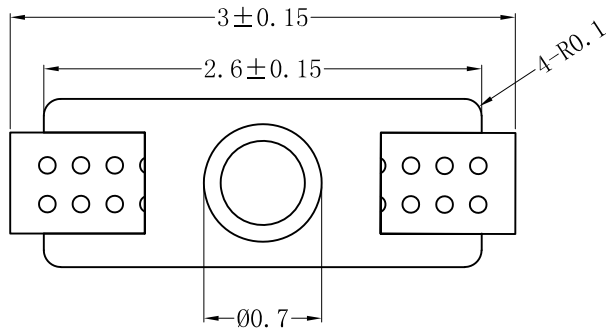


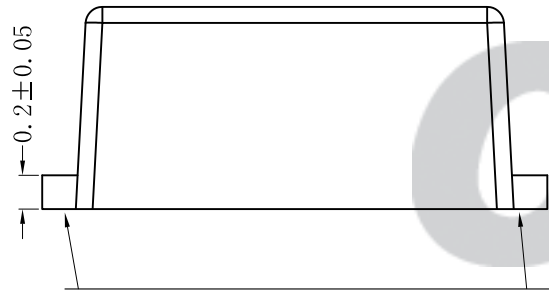
RoHS Compliant



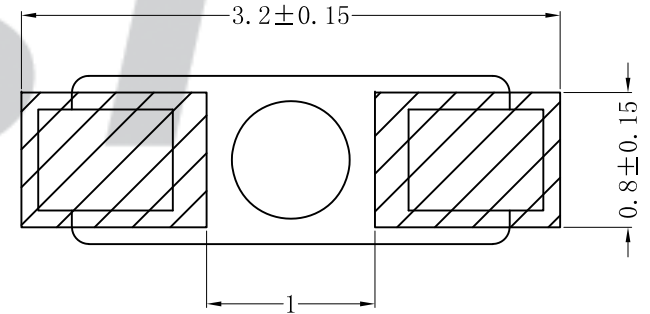
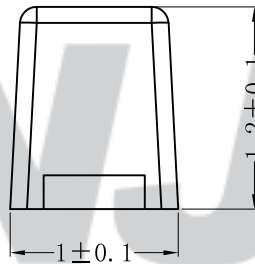
ORDER INFORMATION:

MD-301012-H1MA-R

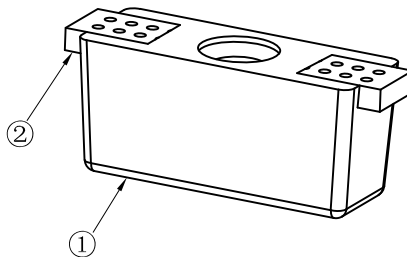
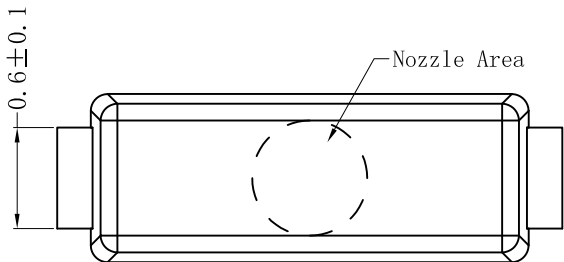
| | |
|------------------|-------------------|
| PART No. | PACKAGING: |
| No. OF CIRCUITS: | R=REEL |
| Length | PLATING: |
| Width | A=Tin-plated |
| Height | PLASTIC MATERIAL: |
| | H1M=PA9T (Nature) |



0.10



SUGGESTED PCB LAYOUT
(COMPONENT SIDE)



专利产品

| | | | |
|--|-----------------------------|-------------|--------------------------|
| Tolerance X.X ±0.30 X.XX ±0.20 X.XXX ±0.10 Angle ±3.0° | CNJST 捷仕泰企业 | | Drawn: 李浩然 2023.01.05 |
| | Model No.: MD-301012-H1MA-R | | Checked: 吴丹平 |
| UNIT: mm | Model Name: Stopper | | Approved: 林旭芝 |
| | | SCALE: FULL | REVISION: C/0 |
| | | | DWG NO.: CNJST/GCCP-0457 |

| REV. | DATE | DESCRIPTION | APPD. | NO. | DESCRIPTION | QTY | MATERIAL | PLATING/COLOR |
|------|------------|-------------|-------|-----|-------------|-----|-----------------|---------------|
| C/0 | 2023.01.05 | 更新模板 | 李浩然 | ② | Contacts | 2 | Phosphor Bronze | Tin-plated |
| B/0 | 2017.11.16 | NEW RELEASE | | ① | Insulator | 1 | PA9T (UL94 HB) | Nature |