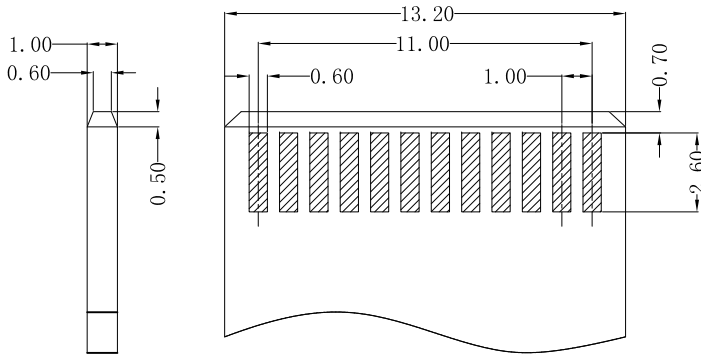
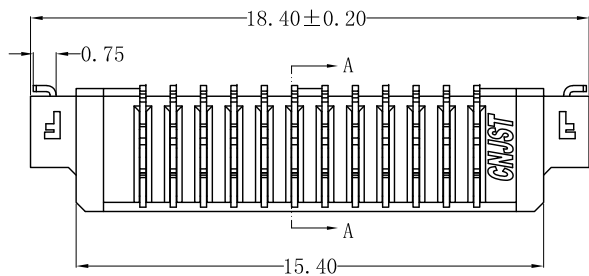


RoHS Compliant



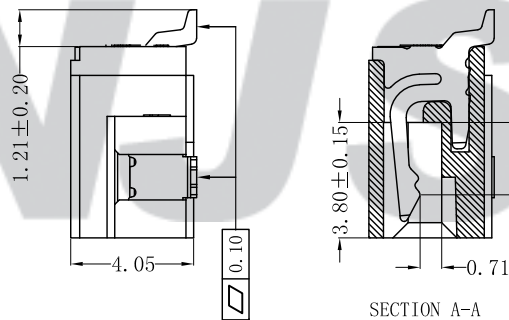
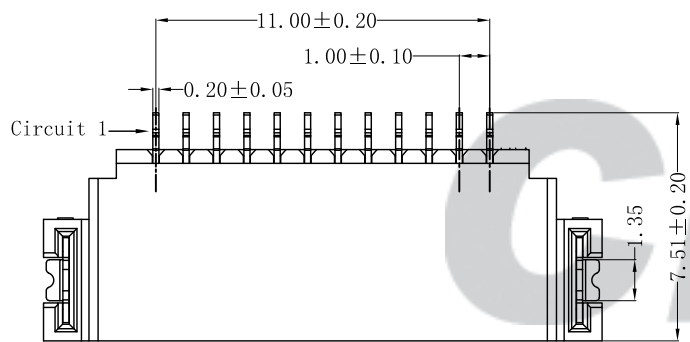
SUGGESTED BOARD LAYOUT  
(COMPONENT SIDE)

SPECIFICATION

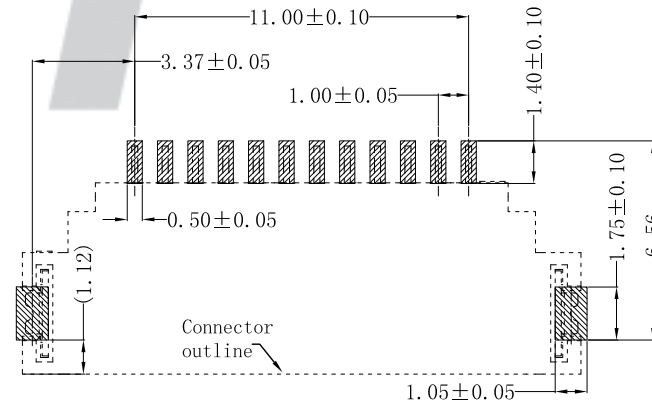
- 1 Contact resistance:  $\leq 30m\Omega$
- 2 Insulation resistance:  $\geq 500M\Omega$
- 3 Rated voltage: 150 V AC DC
- 4 Rated current: 1 A AC DC
- 5 Withstand Voltage: 500V AC/minute
- 6 Temperature Range:  $-25^{\circ}C \sim +85^{\circ}C$

ORDER INFORMATION:

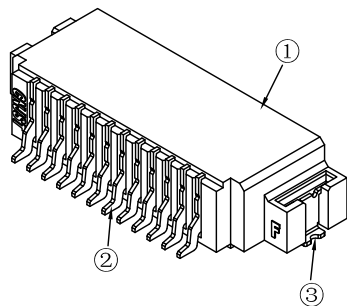
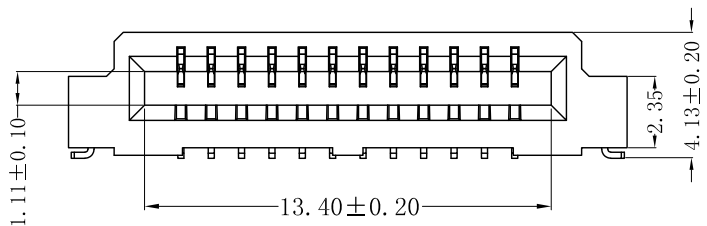
<b>X1001AWR-12-F2MA-R</b>			
PART No.			
No. OF CIRCUITS:	12	PACKAGING:	R=REEL
PLASTIC MATERIAL:	F2M=LCP (Nature)	PLATING:	A=Tin-plated



SECTION A-A



SUGGESTED PCB LAYOUT  
(COMPONENT SIDE)



专利产品

REV.	DATE	DESCRIPTION	APPD.	NO.	DESCRIPTION	QTY	MATERIAL	PLATING/COLOR
C/0	2023.01.03	更新模板	李浩然	③	Solder Tab	2	Brass	Tin-plated
B/0	2020.08.28	NEW RELEASE		②	Contacts	12	Phosphor Bronze	Tin-plated
				①	Insulator	1	LCP(UL94V-0)	Nature

Tolerance	X.X ±0.30
	X.XX ±0.20
	X.XXX ±0.10
Angle	±3.0°
UNIT:	mm

<b>CNJST 捷仕泰企业</b>	
Model No.: X1001AWR-12-F2MA-R	
Model Name: 1.00mm pitch 90° WAFER-SMT TYPE	
	SCALE: FULL
	REVISION: C/0

Drawn: 李浩然 2023.01.03
Checked: 吴丹平
Approved: 林旭芝
DWG NO.: CNJST/GCCP-0724