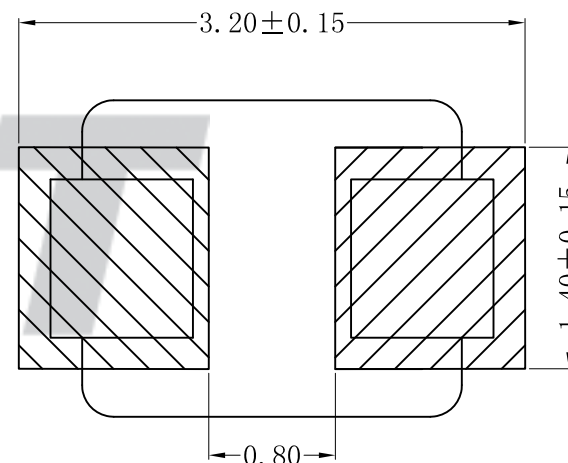
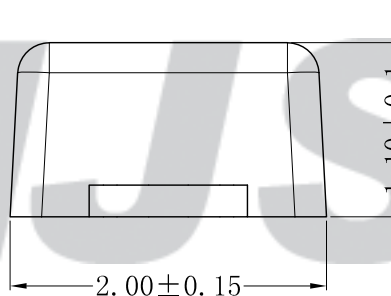
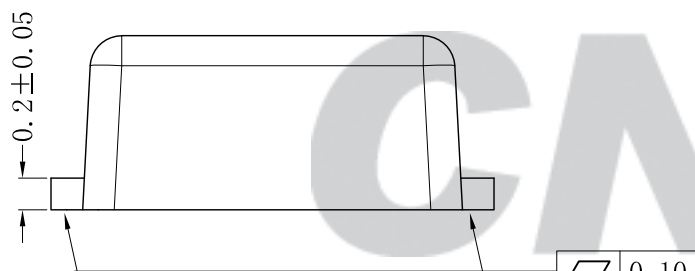
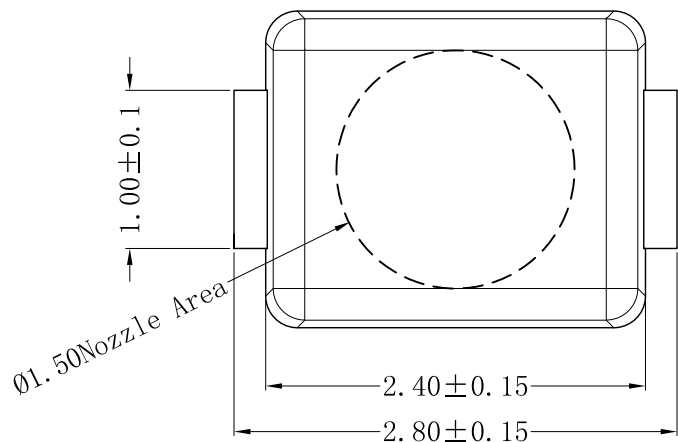


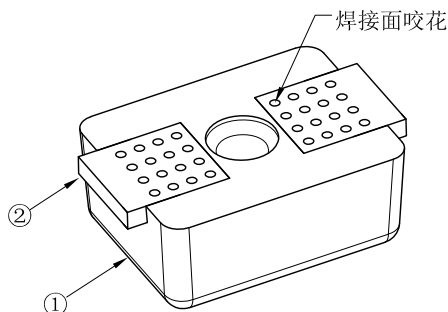
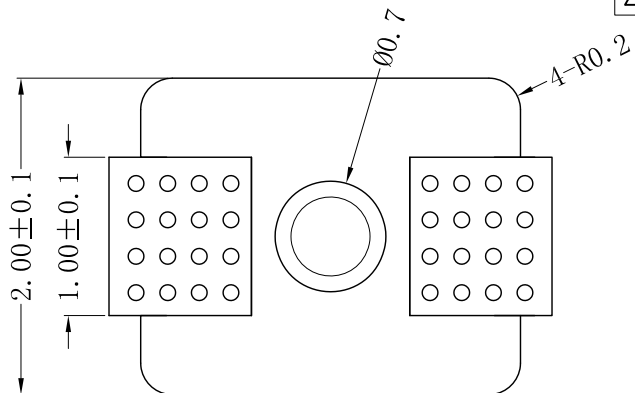
RoHS Compliant

### ORDER INFORMATION:

PART No. <b>MD-282011-H1MA-R</b>		PACKAGING:
No. OF CIRCUITS:		R=REEL
Length		PLATING:
Width		A=Tin-plated
Height		PLASTIC MATERIAL:
		H1M=PA9T (Nature)



SUGGESTED PCB LAYOUT  
(COMPONENT SIDE)



专利产品

C/0		2023.01.05	更新模板	李浩然	②	Contacts	2	Phosphor Bronze	Tin-plated	Tolerance X.X ±0.30 X.XX ±0.20 X.XXX ±0.10 Angle ±3.0°	<b>CNJST</b> 捷仕泰企业	Drawn: 李浩然 2023.01.05	
B/0		2017.11.15	NEW RELEASE		①	Insulator	1	PA9T (UL94 HB)	Nature			Model No.: MD-282011-H1MA-R	
REV.	DATE	DESCRIPTION	APPD.	NO.	DESCRIPTION	QTY	MATERIAL	PLATING/COLOR	UNIT: mm	Model Name: Stopper		Approved: 林旭芝	
											SCALE: FULL	REVISION: C/0	DWG NO.: CNJST/GCCP-0422