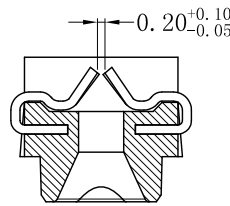
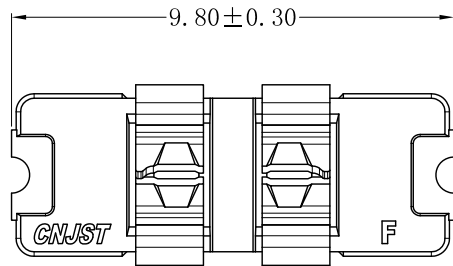


RoHS Compliant



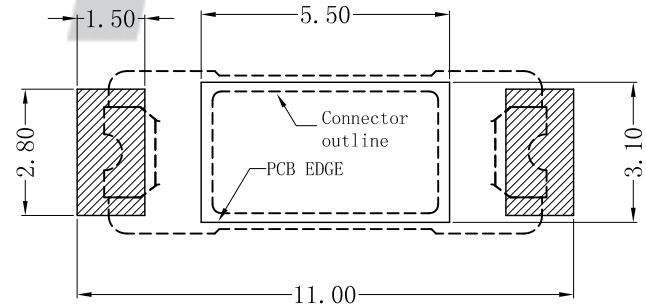
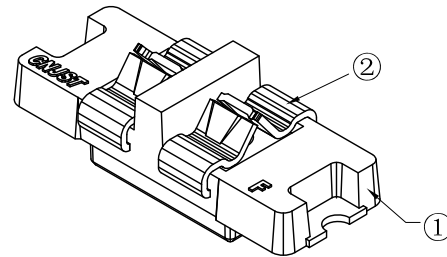
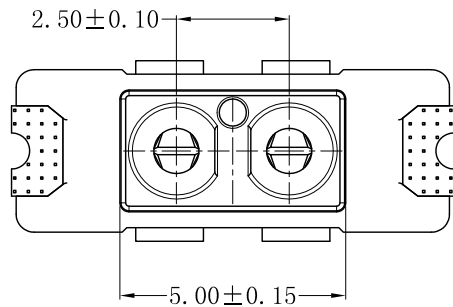
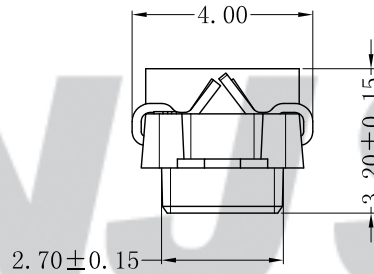
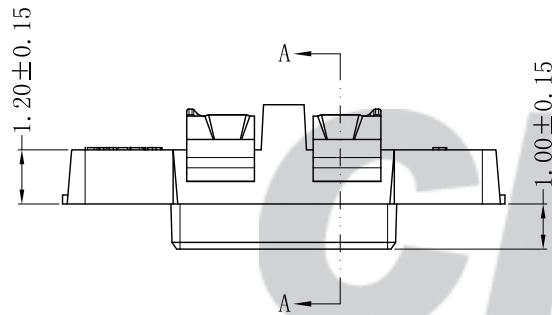
SECTION A-A

SPECIFICATION

- 1 Contact resistance: $\leq 20\text{m}\Omega$
- 2 Insulation resistance: $\geq 1000\text{M}\Omega$
- 3 Rated voltage: 250 V AC DC
- 4 Rated current: 1.0 A AC DC
- 5 Withstand Voltage: 1000V AC/minute
- 6 Temperature Range: $-40^{\circ}\text{C} \sim +120^{\circ}\text{C}$
- 7 Applicable wires: $\phi 0.5 \sim 1.0\text{mm}$
(AWG #24~#20) [C2]

ORDER INFORMATION:

QM2505M-02-F2MB-R			
Part No.			PACKAGING:
No. OF CIRCUITS:	02		R=REEL
PLASTIC MATERIAL:	F2M=LCP (Nature)		PLATING:
			B=Matte Sn



Recommended P.C.B Layout
General Tolerance ± 0.05

专利产品

注：本款产品仅限于导线一次性插入使用，不支持导线重复插入多次使用。[C1]

REV.	DATE	DESCRIPTION	APPD.	NO.	DESCRIPTION	QTY	MATERIAL	PLATING/COLOR
C/2	2023.07.24	根据使用线径增加线号	李浩然					
C/1	2022.10.15	增加使用次数说明	黄羨程	②	Contacts	2	Phosphor Bronze	Matte Sn
C/0	2022.07.20	NEW RELEASE	黄羨程	①	Insulator	1	LCP(UL94V-0)	Nature

Tolerance	X.X ± 0.30
	X.XX ± 0.20
	X.XXX ± 0.10
Angle	$\pm 3.0^{\circ}$
UNIT:	mm

CNJST 捷仕泰企业		
Model No: QM2505M-02-F2MB-R		
Model Name: 2.50mm PITCH WAFER		
	SCALE: FULL	REVISION: C/2

Drawn: 李浩然 2023.07.24
Checked: 吴丹平
Approved: 林旭芝
DWG NO. CNJST/GCCP-0822