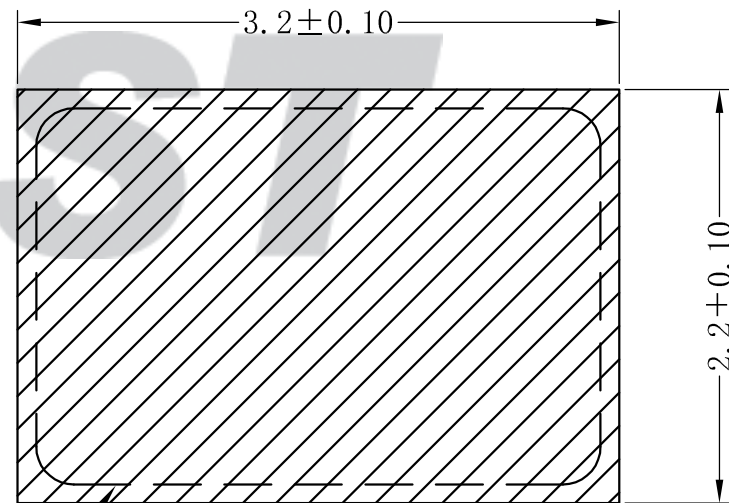


ORDER INFORMATION:

<b>T-302008-BA-R</b>			
PART No.			PACKAGING:
Length			R=REEL
Width			PLATING:
Height			A=Tin-plated
PLASTIC MATERIAL:			
B=Brass			



Connector outline

SUGGESTED PCB LAYOUT  
(COMPONENT SIDE)

Tolerance X.X ±0.30 X.XX ±0.20 X.XXX ±0.10 Angle ±3.0°	<b>CNJST 捷仕泰企业</b>		Drawn: 黄美程 2023.09.28
	Model No.: T-302008-BA-R		Checked: 吴丹平
	Model Name: Stopper		Approved: 林旭芝
	UNIT: mm	 SCALE: FULL	REVISION: C/0 DWG NO. CNJST/GCCP-0427

REV.	DATE	DESCRIPTION	APPD.	NO.	DESCRIPTION	QTY	MATERIAL	PLATING/COLOR
C/0	2023.09.28	更新模版	黄美程	①	Insulator	1	Brass	Tin-plated