

ORDER INFORMATION:

T-404012-BN-R

PART No. _____

Width _____

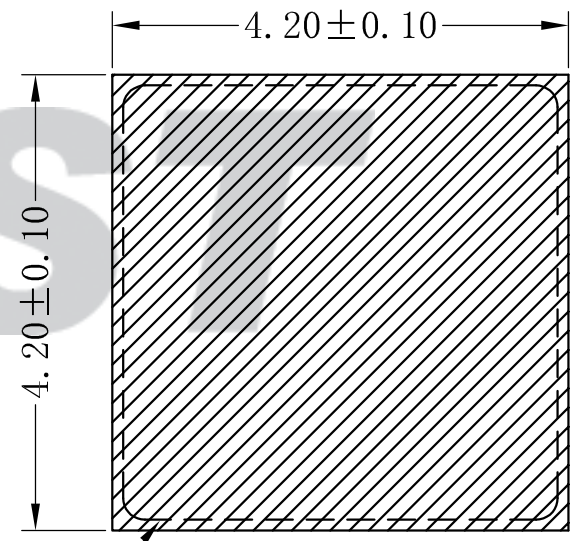
Height _____

Length _____

PLATING: N=Ni

PLASTIC MATERIAL: _____

B=Brass



Connector outline

SUGGESTED PCB LAYOUT
(COMPONENT SIDE)

Tolerance X.X ±0.30 X.XX ±0.20 X.XXX ±0.10 Angle ±3.0°	CNJST 捷仕泰企业		Drawn: 黄美程 2023.09.28
	Model No.: T-404012-BN-R		Checked: 吴丹平
	Model Name: Stopper		Approved: 林旭芝
	UNIT: mm		SCALE: FULL REVISION: C/0
			DWG NO. CNJST/GCCP-0350

REV.	DATE	DESCRIPTION	APPD.	NO.	DESCRIPTION	QTY	MATERIAL	PLATING/COLOR
C/0	2023.09.28	更新模版	黄美程	①	Insulator	1	Brass	Ni-plated